

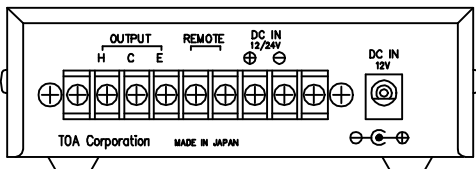
DESCRIPTION

The RU-2002 is a microphone amplifier for the PM-660D Paging Microphone with a remote control switch and a 5-pin DIN socket. The power of the PM-660D's internal power amplifiers, and global speaker output can be remotely controlled from the RU-2002. The RU-2002 has an internal chime unit.

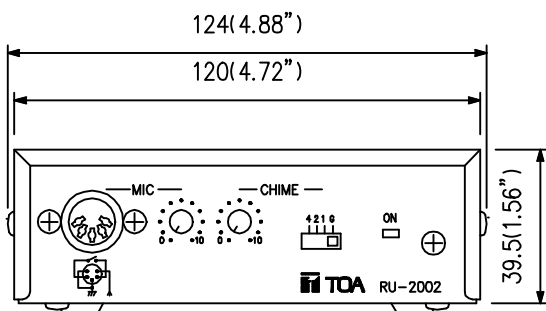
SPECIFICATIONS

Power Requirement	12~24 V DC or 12 V AC adaptor
Current Consumption	60 mA
Microphone Input	-62 dBV, 600 Ω, unbalanced, 5-pin DIN socket
Output	0 dBV, 600 Ω, balanced, Screw terminal
Chime	4-tone chime, 2-tone chime, single-tone chime, and gong
Applicable Microphone	PM-660D
Color	Black
Dimensions(WXHXD)	124 (4.88")x42.5 (1.67")x159 (6.26") mm
Weight	700 g (1.54 lb.)
Accessory	Mounting bracket.....1

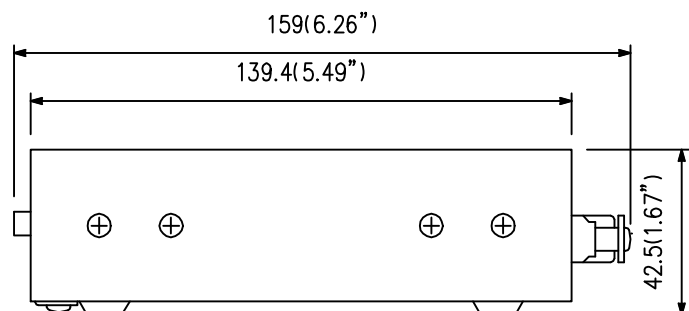
APPEARANCE



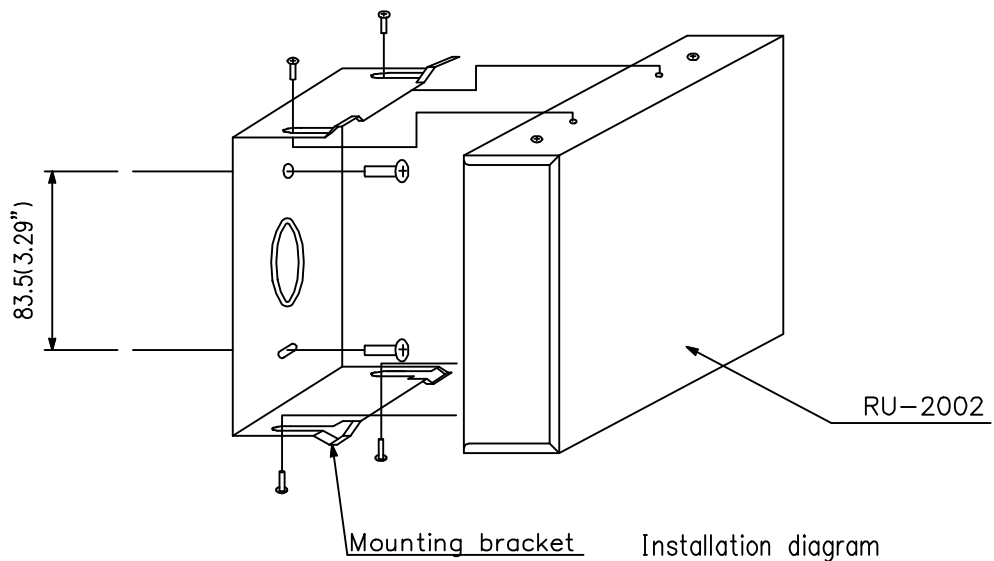
Rear View



Front View



Side View



Mounting bracket Installation diagram

UNIT:mm SCALE:1/2