



SAMSUNG

Palm-sized Compact IR Dome Illuminating the darkness



Small IR Dome Camera

SCD-1020R

The SCD-1020R is a cost effective mini IR dome camera, which provides 520 TV Lines high-resolution images. Its built-in high-performance LED illuminators provide the ability to capture clear images of objects up to 10m from the camera, even in total darkness. Packed with the essential technology required for security monitoring, the SCD-1020R will be ideal for small applications.

- High resolution of 520 TV lines
- Min. illumination 0Lux (IR LED on), IR distance 10m
- Built-in fixed lens (3.6mm)
- 12VDC

Small IR Dome Camera

SCD-1020R

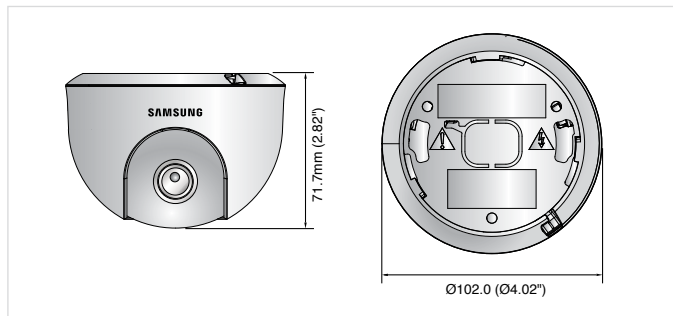


Specifications

	SCD-1020RN	SCD-1020RP
VIDEO		
Imaging Device	1/4" CMOS	
Total Pixels	680(H) x 512(V)	
Effective Pixels	640(H) x 480(V)	
Scanning System	2 : 1 Interlace	
Synchronization	Internal	
Frequency	H : 15.734KHz / V : 59.94Hz	H : 15.625KHz / V : 50Hz
Horizontal Resolution	Color : 520TV lines	
Min. Illumination	0Lux (IR LED on)	
S / N Ratio	46dB (AGC off, Weight on)	
Video Output	CVBS : 1.0 Vp-p / 75Ω composite	
LENS		
Focal Length (Zoom Ratio)	3.6mm	
Max. Aperture Ratio	F2.0	
Angular Field of View	H : 56° / V : 42°	
Min. Object Distance	0.2m (0.66ft)	
Lens Type	Fixed	
Mount Type	Board type	
PAN / TILT		
Pan Range	0° ~ 355°	
Tilt Range	0° ~ 60°	
OPERATIONAL		
Day & Night	Soft (D/N) Auto	
Digital Noise Reduction	Auto	
Gain Control	Auto	
White Balance	Auto (3200°K ~ 6500°K)	
Shutter Mode	Auto (Rolling Shutter)	
IR Distance	10m (IR LED 12ea)	
ENVIRONMENTAL		
Operating Temperature / Humidity	0°C ~ +40°C (+32°F ~ +104°F) / 20% ~ 85% RH	
ELECTRICAL		
Input Voltage / Current	12V DC	
Power Consumption	Max. 2.2W	
MECHANICAL		
Color / Material	Ivory / Plastic (Dome cover : clear)	
Dimensions (WxH)	Ø102.0 x 71.7mm (Ø4.02" x 2.82")	
Weight	160g (0.35 lb)	

Dimensions

Unit : mm (inch)



The Eco mark represents Samsung Techwin's will to create environment-friendly products, and indicates that the product satisfies the EU RoHS Directive.

Design and specifications are subject to change without notice.



SAMSUNG TECHWIN CO., LTD.

701, Sampyeong-dong, Bundang-gu, Seongnam-si, Gyeonggi-do Korea 463-400
Tel : +82-70-7147-8741~8749, 8752-8760 Fax : +82-31-8018-3745
www.samsungsecurity.com www.samsungcctv.com

SAMSUNG TECHWIN AMERICA INC.

100 Challenger Rd. Suite 700 Ridgefield Park, NJ 07660
Toll Free : +1-877-213-1222 Direct : +1-201-325-6920
Fax : +1-201-373-0124
www.samsungcctvusa.com

SAMSUNG TECHWIN EUROPE LTD.

Samsung House, 1000 Hillswood Drive, Hillswood Business Park
Chertsey, Surrey, UNITED KINGDOM KT16 0PS
Tel : +44-1932-45-5300 Fax : +44-1932-45-5325

TIANJIN SAMSUNG TECHWIN OPTO-ELECTRONICS CO., LTD.

No.11 Wei 6 Street, Micro-Electronic Industrial Park
Jingang Road, Tianjin, P.R. CHINA 300385
Tel : +86-22-23887788 Fax : +86-22-23887788

■ DISTRIBUTED BY

