

CS 26T Plus and CS 120P

CS 1226T Plus SpeedMount Ceiling Speaker System



Extron Electronics
INTERFACING, SWITCHING AND CONTROL

Safety Instructions

Safety Instructions • English

WARNING: This symbol, ⚠, when used on the product, is intended to alert the user of the presence of uninsulated dangerous voltage within the product's enclosure that may present a risk of electric shock.

ATTENTION: This symbol, ⚠, when used on the product, is intended to alert the user of important operating and maintenance (servicing) instructions in the literature provided with the equipment.

For information on safety guidelines, regulatory compliances, EMI/EMF compatibility, accessibility, and related topics, see the Extron Safety and Regulatory Compliance Guide, part number 68-290-01, on the Extron website, www.extron.com.

Instructions de sécurité • Français

AVERTISSEMENT : Ce pictogramme, ⚠, lorsqu'il est utilisé sur le produit, signale à l'utilisateur la présence à l'intérieur du boîtier du produit d'une tension électrique dangereuse susceptible de provoquer un choc électrique.

ATTENTION : Ce pictogramme, ⚠, lorsqu'il est utilisé sur le produit, signale à l'utilisateur des instructions d'utilisation ou de maintenance importantes qui se trouvent dans la documentation fournie avec le matériel.

Pour en savoir plus sur les règles de sécurité, la conformité à la réglementation, la compatibilité EMI/EMF, l'accessibilité, et autres sujets connexes, lisez les informations de sécurité et de conformité Extron, réf. 68-290-01, sur le site Extron, www.extron.com.

Sicherheitsanweisungen • Deutsch

WARNUNG: Dieses Symbol ⚠ auf dem Produkt soll den Benutzer darauf aufmerksam machen, dass im Inneren des Gehäuses dieses Produktes gefährliche Spannungen herrschen, die nicht isoliert sind und die einen elektrischen Schlag verursachen können.

VORSICHT: Dieses Symbol ⚠ auf dem Produkt soll dem Benutzer in der im Lieferumfang enthaltenen Dokumentation besonders wichtige Hinweise zur Bedienung und Wartung (Instandhaltung) geben.

Weitere Informationen über die Sicherheitsrichtlinien, Produkthandhabung, EMI/EMF-Kompatibilität, Zugänglichkeit und verwandte Themen finden Sie in den Extron-Richtlinien für Sicherheit und Handhabung (Artikelnummer 68-290-01) auf der Extron-Website, www.extron.com.

Instrucciones de seguridad • Español

ADVERTENCIA: Este símbolo, ⚠, cuando se utiliza en el producto, avisa al usuario de la presencia de voltaje peligroso sin aislar dentro del producto, lo que puede representar un riesgo de descarga eléctrica.

ATENCIÓN: Este símbolo, ⚠, cuando se utiliza en el producto, avisa al usuario de la presencia de importantes instrucciones de uso y mantenimiento recogidas en la documentación proporcionada con el equipo.

Para obtener información sobre directrices de seguridad, cumplimiento de normativas, compatibilidad electromagnética, accesibilidad y temas relacionados, consulte la Guía de cumplimiento de normativas y seguridad de Extron, referencia 68-290-01, en el sitio Web de Extron, www.extron.com.

Инструкция по технике безопасности • Русский

ПРЕДУПРЕЖДЕНИЕ: Данный символ, ⚠, если указан на продукте, предупреждает пользователя о наличии неизолированного опасного напряжения внутри корпуса продукта, которое может привести к поражению электрическим током.

ВНИМАНИЕ: Данный символ, ⚠, если указан на продукте, предупреждает пользователя о наличии важных инструкций по эксплуатации и обслуживанию в руководстве, прилагаемом к данному оборудованию.

Для получения информации о правилах техники безопасности, соблюдении нормативных требований, электромагнитной совместимости (ЭМП/ЭДС), возможности доступа и других вопросах см. руководство по безопасности и соблюдению нормативных требований Extron на сайте Extron: www.extron.com, номер по каталогу - 68-290-01.

安全说明 • 简体中文

警告: ⚠ 产品上的这个标志意在警告用户该产品机壳内有暴露的危险电压, 有触电危险。

注意: ⚠ 产品上的这个标志意在提示用户设备随附的用户手册中有重要的操作和维护(维修)说明。

关于我们产品的安全指南、遵循的规范、EMI/EMF 的兼容性、无障碍使用的特性等相关内容, 敬请访问 Extron 网站 www.extron.com, 参见 Extron 安全规范指南, 产品编号 68-290-01。

安全記事 • 繁體中文

警告: ⚠ 若產品上使用此符號, 是為了提醒使用者, 產品機殼內存在著可能會導致觸電之風險的未絕緣危險電壓。

注意: ⚠ 若產品上使用此符號, 是為了提醒使用者, 設備隨附的用戶手冊中有重要的操作和維護(維修)說明。

有關安全性指導方針、法規遵守、EMI/EMF 相容性、存取範圍和相關主題的詳細資訊, 請瀏覽 Extron 網站: www.extron.com, 然後參閱《Extron 安全性與法規遵守手冊》, 準則編號 68-290-01。

安全上のご注意 • 日本語

警告: この記号 ⚠ が製品上に表示されている場合は、筐体内に絶縁されていない高電圧が流れ、感電の危険があることを示しています。

注意: この記号 ⚠ が製品上に表示されている場合は、本機の取扱説明書に記載されている重要な操作と保守(整備)の指示についてユーザーの注意を喚起するものです。

安全上のご注意、法規遵守、EMI/EMF適合性、その他の関連項目については、エクストロンのウェブサイト www.extron.com より『Extron Safety and Regulatory Compliance Guide』(P/N 68-290-01) をご覧ください。

안전 지침 • 한국어

경고: 이 기호 ⚠ 가 제품에 사용될 경우, 제품의 인클로저 내에 있는 접지되지 않은 위험한 전류로 인해 사용자가 감전될 위험이 있음을 경고합니다.

주의: 이 기호 ⚠ 가 제품에 사용될 경우, 장비와 함께 제공된 책자에 나와 있는 주요 운영 및 유지보수(정비) 지침을 경고합니다.

안전 가이드라인, 규제 준수, EMI/EMF 호환성, 접근성, 그리고 관련 항목에 대한 자세한 내용은 Extron 웹 사이트(www.extron.com)의 Extron 안전 및 규제 준수 안내서, 68-290-01 조항을 참조하십시오.

FCC Class A Notice

This equipment has been tested and found to comply with the limits for a Class A digital device, pursuant to part 15 of the FCC rules. The Class A limits provide reasonable protection against harmful interference when the equipment is operated in a commercial environment. This equipment generates, uses, and can radiate radio frequency energy and, if not installed and used in accordance with the instruction manual, may cause harmful interference to radio communications. Operation of this equipment in a residential area is likely to cause interference; the user must correct the interference at his own expense.

NOTE: For more information on safety guidelines, regulatory compliances, EMI/EMF compatibility, accessibility, and related topics, see the "[Extron Safety and Regulatory Compliance Guide](#)" on the Extron website.

Copyright

© 2015 Extron Electronics. All rights reserved.

Trademarks

All trademarks mentioned in this guide are the properties of their respective owners.

The following registered trademarks[®], registered service marksSM, and trademarksTM are the property of RGB Systems, Inc. or Extron Electronics:

Registered Trademarks [®]
AVTrac, Cable Cubby, CrossPoint, DTP, eBUS, EDID Manager, EDID Minder, Extron, Flat Field, FlexOS, Global Configurator, GlobalViewer, Hideaway, Inline, IP Intercom, IP Link, Key Minder, LockIt, MediaLink, PlenumVault, PoleVault, PowerCage, PURE3, Quantum, SoundField, SpeedMount, SpeedSwitch, System <i>INTEGRATOR</i> , TeamWork, TouchLink, V-Lock, VersaTools, VN-Matrix, VoiceLift, WallVault, WindoWall, XTP, and XTP Systems
Registered Service MarkSM : S3 Service Support Solutions
Trademarks TM
AAP, AFL (Accu-Rate Frame Lock), ADSP (Advanced Digital Sync Processing), Auto-Image, CableCover, CDRS (Class D Ripple Suppression), DDSP (Digital Display Sync Processing), DMI (Dynamic Motion Interpolation), Driver Configurator, DSP Configurator, DSVP (Digital Sync Validation Processing), eLink, EQIP, FastBite, FOX, FOXBOX, IP Intercom HelpDesk, LinkLicense, MAAAP, MicroDigital, NetPA, ProDSP, QS-FPC (QuickSwitch Front Panel Controller), Room Agent, Scope-Trigger, ShareLink, SIS, Simple Instruction Set, Skew-Free, SpeedNav, Triple-Action Switching, True 4K, Vector, WebShare, XTRA, ZipCaddy, ZipClipp

Conventions Used in this Guide

Notifications

The following notifications are used in this guide:

WARNING: Potential risk of severe injury or death.

AVERTISSEMENT : Risque potentiel de blessure grave ou de mort.

ATTENTION:

- Risk of property damage.
- Risque de dommages matériels.

NOTE: A note draws attention to important information.

Specifications Availability

Product specifications are available on the Extron Website, www.extron.com.

Contents

Introduction.....	1
About this Guide.....	1
Overview	1
Features	1
Application Example	2

Installation.....	3
Installation Considerations	3
Installation Configurations	3
Installing the CS 1226T Plus System — Single Installer.....	4
Installing the CS 120P in a Suspended Ceiling — Division of Labor	18
Installing the CS 26T Plus in a Suspended Ceiling — Division of Labor.....	24
Installing the CS 120P in a Hard Ceiling.....	32

Introduction

This section gives an overview of the Extron CS 1226T Plus SpeedMount Ceiling Speaker System, consisting of the CS 26T Plus speaker and the CS 120P enclosure. It also provides a list of system features and an application diagram. Topics include:

- [About this Guide](#)
- [Overview](#)
- [Features](#)
- [Application Example](#)

About this Guide

This guide describes the Extron CS 1226T Plus Speaker System, the CS 26T Plus speaker pair and the CS 120P enclosure and provides instructions for installing all components of the system in different types of ceilings.

Overview

The CS 1226T Plus system features a low profile design that houses a 6.5-inch woofer and a 0.75-inch tweeter (CS 26T Plus) contained in a UL 2043 rated enclosure (CS 120P) designed for use in plenum rated ceiling spaces.

This unique speaker system splits installation into two phases, rough-in and finish, allowing the installer to “reserve” space for the speaker system by installing the CS 120P back can and then later installing the CS 26T Plus speaker. This two-step process (division of labor) is especially useful when multiple installers are involved. The CS 120P can be installed by the low voltage contractor while the CS 26T Plus can be installed by the AV systems contractor.

Features

- **US and metric ceiling grids** — The CS 120P enclosure can be installed in both U.S. and metric ceiling grid systems (for metric systems, the CS 120P end tabs are cut off).
- **UL 2043 listed** — The CS 1226T Plus is UL 2043 listed (only when the CS 26T Plus is used with the CS 120P).

NOTE: The use of any other back can other than the CS 120P or those provided by Extron voids the UL 2043 rating.

- **Optional open back configuration** — The CS 26T Plus can be used without the CS 120P by reconfiguring the attached bass port plate (allowing the CS 26T Plus to function as an open back speaker).

NOTE: When the CS 26T Plus is used without the CS 120P, it is not suitable for air handling spaces and is not UL 2043 rated.

- **Low profile enclosure** — The low profile enclosure is compatible with plenum environments where overhead space may be limited.

- **Selectable taps** — The rotary tap selector switch, located behind the grille, sets the speaker to operate in either 8-ohm direct or 70 volt /100 volt operation with 32, 16, 8, 4, and 2 watt taps.
- **Magnetic grille** — Magnets spaced around the grille edge enable it to be easily attached and to remain firmly in place.

Application Example

The illustration below is one example of configuring a system using the CS 1226T Plus.

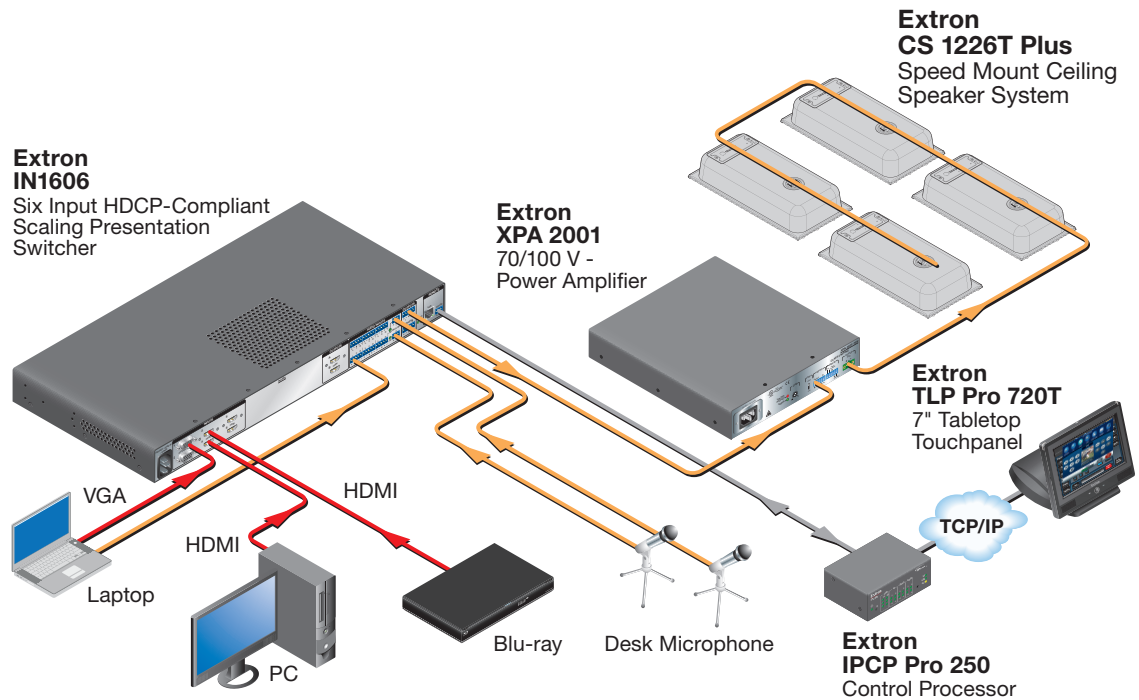


Figure 1. Application Diagram of a CS 1226T Plus Installation

Installation

This section provides instructions for installing the CS 26T Plus speaker and the CS 120P enclosure. Topics include:

- [Installation Considerations](#)
- [Installation Configurations](#)
- [Installing the CS 1226T Plus – Single Installer](#)
- [Installing the CS 120P in a Suspended Ceiling – Division of Labor](#)
- [Installing the CS 26T Plus in a Suspended Ceiling – Division of Labor](#)
- [Installing the CS 120P in a Hard Ceiling](#)

Installation Considerations

WARNING: Potential risk of severe injury. Installation and service must be performed by authorized personnel only.

AVERTISSEMENT : Risque potentiel de blessure grave ou de mort. L'installation et l'entretien doivent être effectués par le personnel autorisé uniquement.

- All wiring and electrical connections must conform to all applicable building codes and local ordinances.
- Installation in a plenum-rated environment requires plenum rated cable or conduit.
- If using secondary support cables, the installer provides the cables.

Installation Configurations

The CS 26T Plus can be configured in the following ways:

- **Open-back:** For configurations in which the CS 120P is not used, use the C-ring accessory, available at www.extron.com. The C-ring spreads out the clamping force of the locking arms when used in drop ceilings and gypsum ceilings.
- **Using the CS 120P:** When used with the CS 120P, the CS 26T Plus can be placed in plenum environments. This is the only configuration that is UL 2043 rated.

NOTE: The CS 120P can be ordered separately or as part of the CS 1226T Plus kit.

For hard ceiling installations, see [Installing the CS 120P in a Hard Ceiling](#) on page 32.

Installing the CS 1226T Plus System – Single Installer

If a single installer is installing the CS 1226T Plus system, follow this procedure for the entire system:

NOTE: The ceiling grid must be installed **before** the installation of the CS 1226T Plus begins.

- Verify if fiberglass ceiling tiles are being used (see step 2 below and **step 11** on page 7 for details).
- The grid face should be at least 15/16 inch (24 mm), as shown below, for proper installation of the CS 120P (see **step 21** on page 15 for details on suspending the enclosure on a smaller grid face).

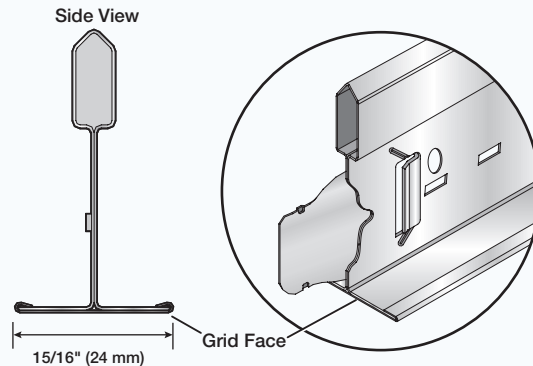


Figure 2. Grid Face Example

1. **Disconnect power** – Power down all attached devices before proceeding.
2. **Verify the space where the system will be installed** – Ensure that there is sufficient clearance above the ceiling tile for the unit to be installed.
3. **Cut a hole for the CS 26T Plus speaker** – Use the provided cutout template to outline the hole to be cut in the ceiling tile as described below.
 - a. Remove the ceiling tile.
 - b. To find the center of the tile, use a tape measure to measure the space between two opposite corners, and mark the half-way point.
 - c. Position the center hole of the cutout template directly over the center of the tile that you marked in step 3b.
 - d. Using the provided cutout template, trace a circle on the ceiling tile as follows:

For installations in ceiling tiles that are NOT fiberglass or when installing the speakers in an open back configuration: Trace a circle around the CS 26T Plus cutout template.

NOTE: The fiberglass tile adapters are not needed and can be discarded.

For installations in 1-inch (2.5 cm) thick fiberglass ceiling tiles with the CS 120P:

NOTE: A set of fiberglass tile adapters is provided with both the CS 26T Plus and the CS 120P. Only one set is needed to install the CS 26T Plus with the CS 120P kit in a 1-inch (2.5 cm) thick fiberglass tile. The adapter works **only** with 1-inch (2.5 cm) thick fiberglass tile.

- i. Place the fiberglass tile adapter around the outer diameter of the template that was positioned in **step 3c**.
 - ii. Trace a circle around the outer diameter of the adapter.
 - e. Cut out the circle traced in the ceiling tile.
 - f. Replace the tile in the ceiling.
- 4. Remove the adjacent ceiling tile** — To facilitate the installation process, remove the tile adjacent to the ceiling tile where the CS 26T Plus will be installed. If the CS 120P is being installed, skip to step 6. Otherwise, proceed to step 5.
- 5. If NOT using the CS 120P, install the Ceiling Mount kit** — Place two V-rails and one C-ring across the tile above the hole that you cut in step 3, where the speaker will be installed, as shown below.

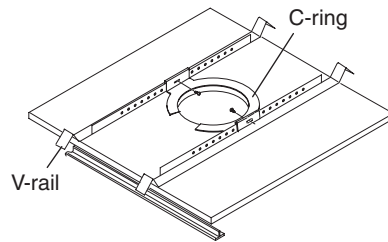
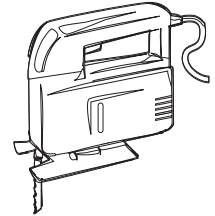


Figure 3. Install the Ceiling Mount Kit

Skip to **step 13** on page 8.

- 6. Configure the CS 120P for a U.S. or metric ceiling grid** — For U.S. ceilings (2 feet by 2 feet or 2 feet by 4 feet) leave intact the four tabs that are on one of the short ends of the enclosure.

For metric ceilings (600 mm by 600 mm or 600 mm by 1200 mm) cut off the tabs, as shown below.

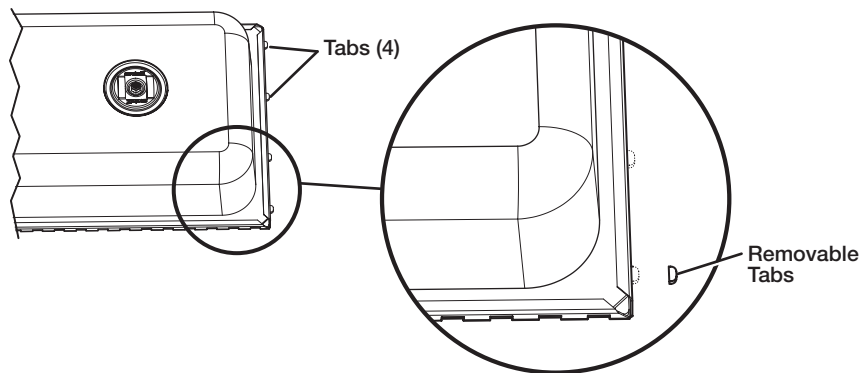


Figure 4. Tabs on the CS 120P

7. **Remove the cover plate** — Loosen (do not remove) the two screws on the cover plate and remove it, as shown in figure 5.

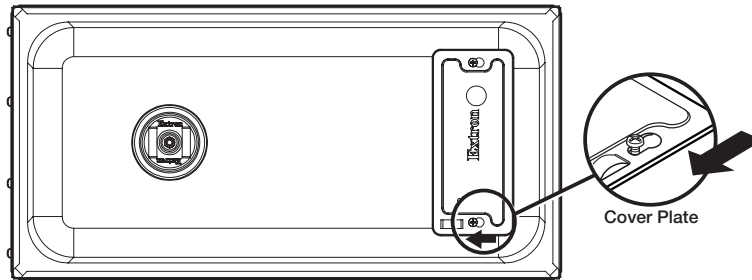


Figure 5. Removing the Cover Plate

8. **Route the cables through the cover plate** —

NOTES:

- The CS 120P is fully UL 2043 compliant only when it is used with a metal conduit or with plenum rated cables.
- Installation of all conduits, conduit adapters, wiring, and electrical connections must conform to all applicable building codes and local ordinances.

Using a flexible conduit:

- Route wires through the conduit.
- Insert the conduit into the cover plate opening using an appropriate conduit adapter, and secure the conduit to the plate as shown in figure 6.
- Pull the wires out of the conduit and through the cover plate.

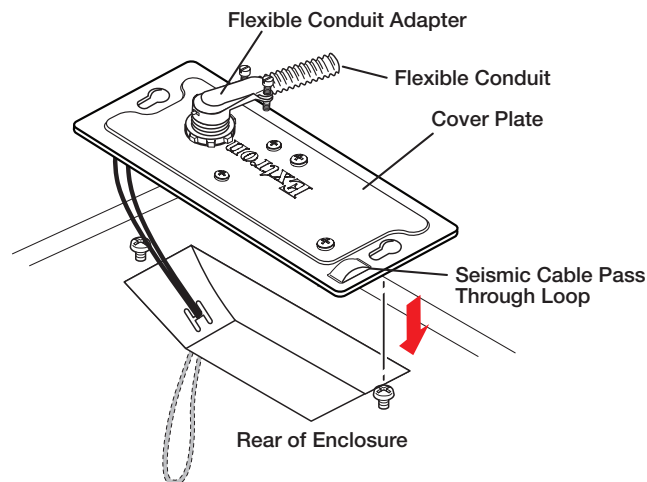


Figure 6. Routing the Cables through the Cover Plate Using a Flexible Conduit

Using speaker wires without a conduit:

- a. Secure the cable clamp adapter (included) to the cover plate.
- b. Insert the wires through the clamp and cover plate, as shown in figure 7.
- c. Tighten the clamp screws.

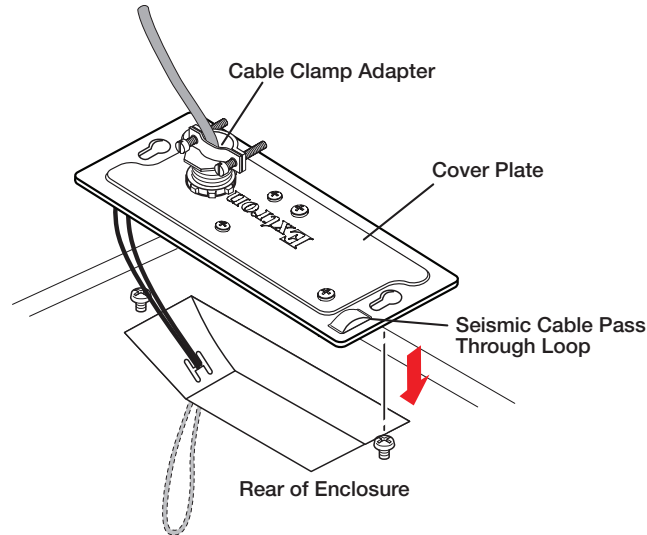


Figure 7. Routing the Cables Without a Conduit

9. **Wire the CS 120P** — Route the wires through the H-shaped opening in the CS 120P. Be sure to leave sufficient slack.

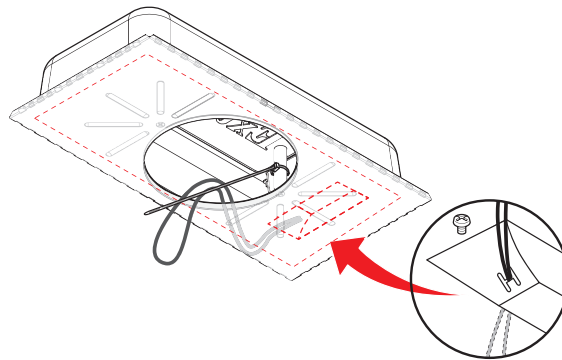


Figure 8. Route the Wires Through the H-shaped Opening

10. **Replace the terminal cover plate** — Reinstall the terminal cover plate onto the CS 120P and tighten the two screws that were previously loosened.
11. **If the CS 120P is NOT being installed in a 1-inch (2.5 cm) thick fiberglass ceiling tile**, discard the fiberglass tile adapter and proceed to [step 12](#) on the next page.
If the CS 120P is being installed in a 1-inch (2.5 cm) thick fiberglass ceiling tile, install the fiberglass ceiling tile adapter. Attach the fiberglass tile adapter to the outer side of the lip of the port hole on the CS 120P as follows:
 - a. Cut four strips of adhesive tape (such as duct tape) approximately 4 inches (10.2 cm) long.

- b. Attach each tape strip starting from the outer side of the CS 120P metal baffle, up and over the port ring adapter, then down to the inner surface of the CS 120P metal baffle, as shown in figure 9.

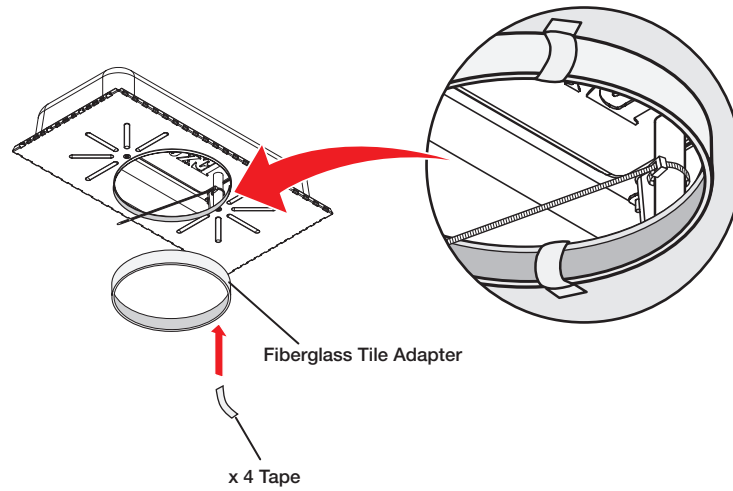
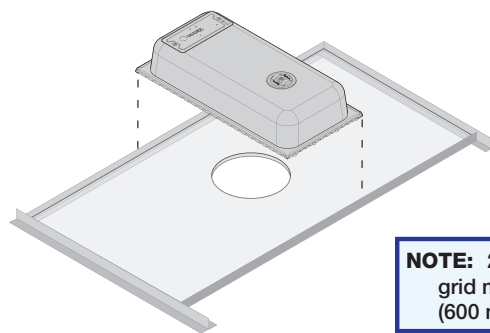


Figure 9. Attach Four Tape Strips to the Baffle and Port Ring Adapter

NOTE: The tape strips must lie flat against all surfaces, with no ridges or raised edges.

- 12. Place the CS 120P into the ceiling grid** — Place the CS 120P over the tile grid so that the CS 120P is safely supported on the two short edges. Ensure that the hole in the tile is aligned with the hole in the CS 120P (see figure 10).



NOTE: 2' x 2' (600 mm x 600 mm) grid mounting is the same as 2' x 4' (600 mm x 1200 mm) grid mounting.

Figure 10. Mounting the CS 120P in a 2" x 4" (600 mm x 1200 mm) Ceiling Grid

- 13. Route the speaker wires** — Route the speaker wires through the ceiling tile hole.
- 14. Remove the speaker grille** — Carefully remove the grille from the front of the CS 26T Plus.

NOTE: Grille hooks are provided for grille removal, if needed.

15. Configure the bass reflex port plate — By default, the CS 26T Plus is set up for use with the CS 120P. If not using the CS 120P, set the plate for an open-back installation.

- **With the CS 120P (default configuration):** Leave the plate in its default location. The port must be left **uncovered** (see **A** in figure 11).
- **Open back:** The bass reflex port is uncovered by default. In the open back configuration (without the CS 120P), this port must be closed (covered). If the port is **not** covered:
 - a. Use a Phillips screwdriver to remove the two screws securing the bass reflex port plate in its storage location.
 - b. Attach the plate to the bass reflex port using the two screws that you removed in step a (see **B** in figure 11).

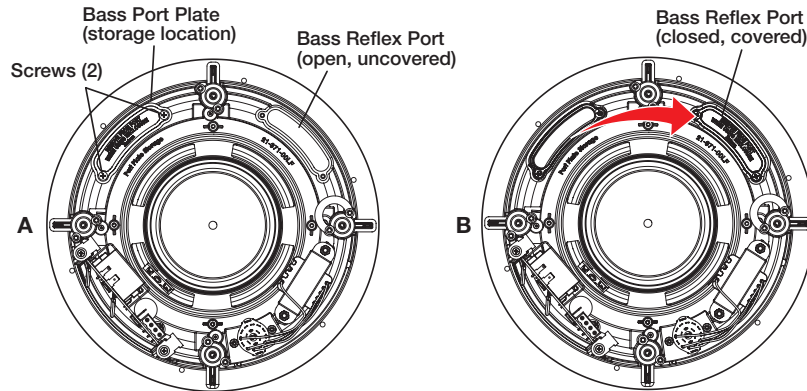


Figure 11. Configuring the Bass Reflex Port Plate

16. Attach the speaker wires to the captive screw connector —

ATTENTION: Do not tin the wire leads before installing into the connector. Tinned wires are not as secure in the connector and could be pulled out.

ATTENTION : Ne pas étamer les conducteurs avant de les insérer dans le connecteur. Les câbles étamés ne sont pas aussi bien fixés dans le connecteur et pourraient être retirés.

Number of Wires per Connection Point	Maximum Wire Gauge
1	12 AWG
2	16 AWG
4	18 AWG

Attach the speaker wires to the included four-pole captive screw connector using one of the following methods:

- **Wiring a Single Speaker:** Connect the wires to the captive screw connectors of the speakers as shown in figure 12. Be sure to tighten the screws.

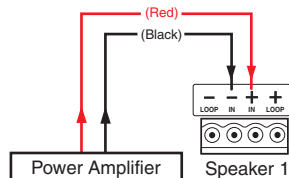


Figure 12. Wiring a Single Speaker

- **Wiring Multiple Speakers in Parallel:** Connect the wires to the captive screw connectors of the speakers, as shown in figure 13. Be sure to tighten the screws.

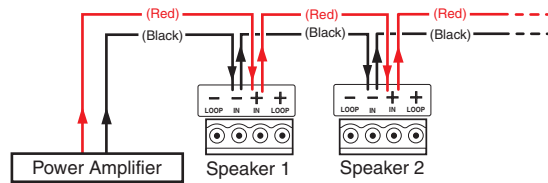


Figure 13. Wiring Multiple Speakers in Parallel

In the parallel configuration, all of the speakers downstream of the one being tested continue to function even when it is disconnected. This is especially useful in installations where the system can never be completely down, such as in a hospital setting.

The source signal can be tested by connecting to the inner + (IN) and – (IN) terminals of the captive screw connector, see below.

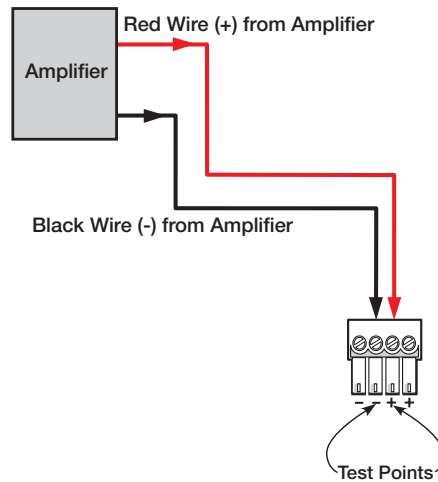


Figure 14. Signal Test Points – Parallel Configuration

- **Wiring Multiple Speakers Using Loop-through:** A loop-through electrical connection is made on the crossover board of the CS 26T Plus. Connect the wires to the captive screw connectors of the speakers, as shown in figure 15. Be sure to tighten the screws.

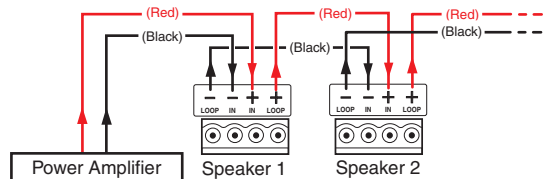


Figure 15. Wiring Multiple Speakers Using Loop-through

In this configuration, all of the speakers downstream of the one being tested are disconnected from the signal when it is disconnected. This is useful for troubleshooting in three ways:

- The system is sectioned for easier troubleshooting.
- The source signal can be tested by connecting to the inner + (IN) and – (IN) terminals of the captive screw connector, as shown in figure 16.

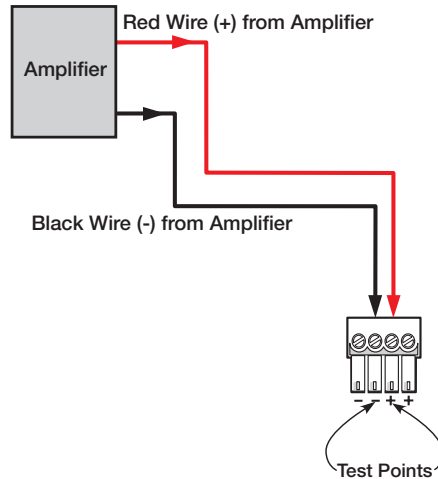


Figure 16. Signal Test Points – Loop-through Configuration

- The impedance of the speakers downstream of the one being tested can be measured while the system is on by connecting to the outer (LOOP) terminals of the captive screw connector, as shown in figure 17.

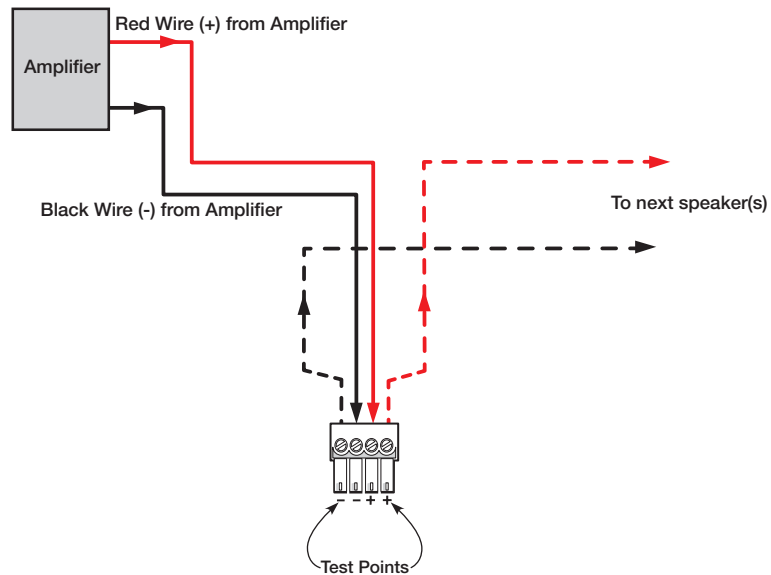


Figure 17. Impedance Test Points – Loop-through Configuration

- 17. Insert the captive screw connector** into the four-pole receptacle on the speaker crossover board, see below.

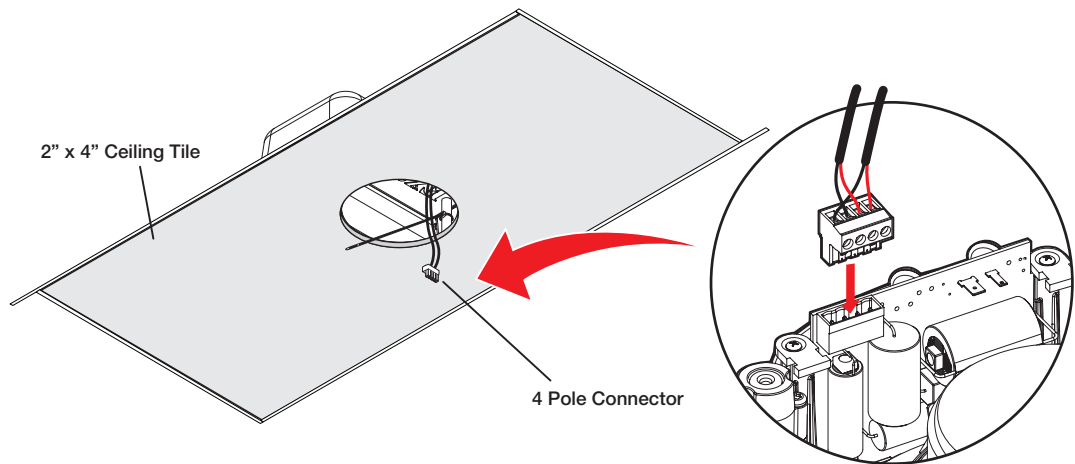


Figure 18. Connecting the Wire from the CS 120P to the Speaker

- 18. Attach the speaker wire to the strain relief tie down point** using the provided zip tie, see below.

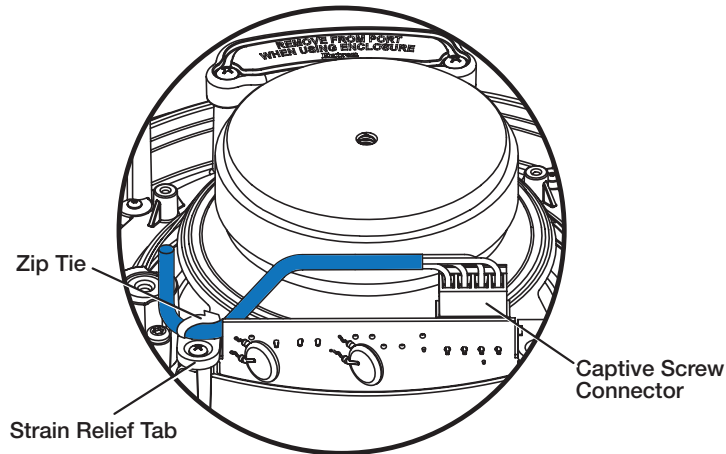


Figure 19. Attaching the Speaker Wire to the Strain Relief Point

- 19. Attach the CS 120P secondary support line to the CS 26T Plus secondary tie off point (if the CS 120P enclosure is not being installed then skip this step) —**
In the closed back configuration, use the zip tie protruding from the underside of the enclosure (see figure 20 below) to attach to the secondary tie off point of the CS 26T Plus speaker (see [figure 21](#) below).

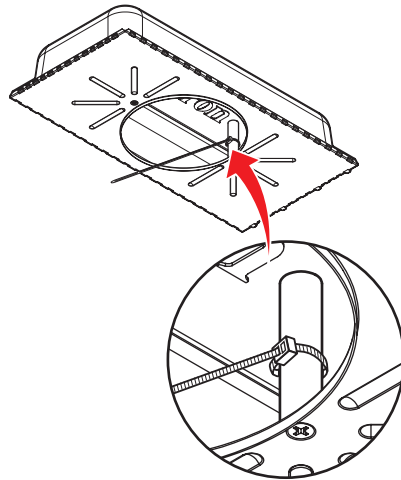


Figure 20. Closed Back Secondary Support Line for the CS 26T Plus

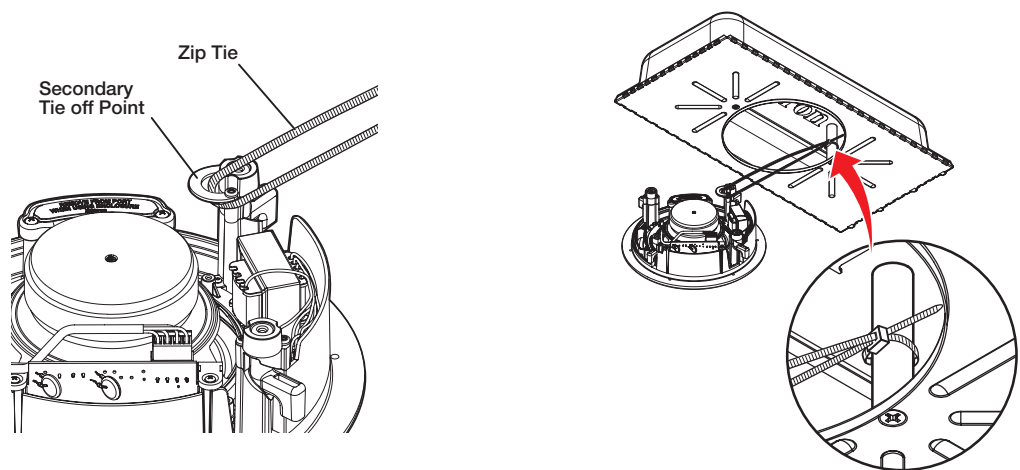


Figure 21. Attaching the Secondary Support Line to the CS 26T Plus

NOTES: Observe all applicable building codes and local ordinances when installing the speaker.

20. Mount the CS 26T Plus (see figure 22).

- a. Insert the CS 26T Plus** through the bottom of the hole in the ceiling tile that was cut in **step 3** on page 4.
- b. Tighten the four screws** (clockwise) until the speaker is securely clamped to the ceiling.

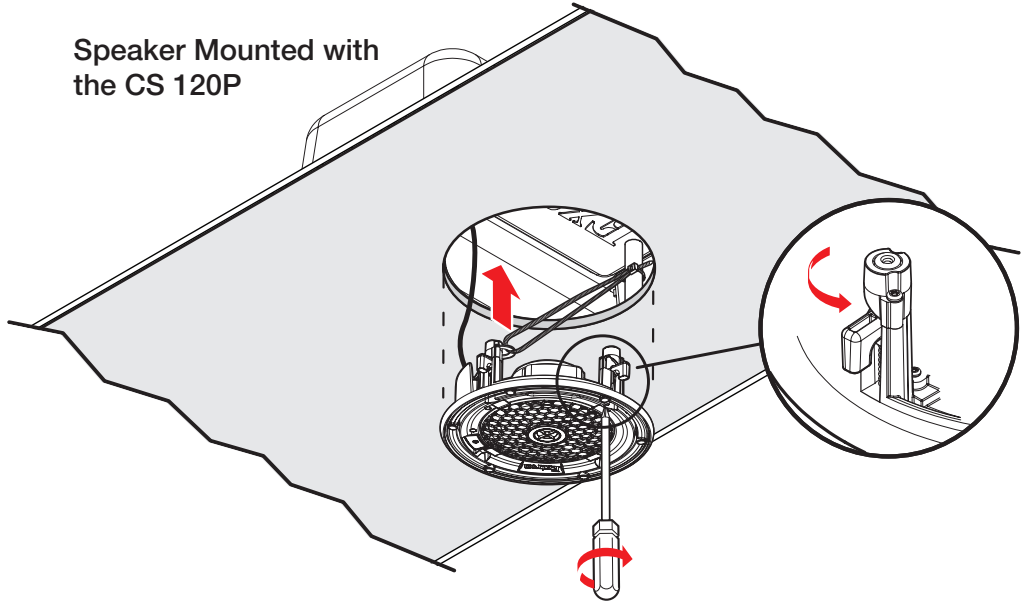


Figure 22. Mounting the Speaker to the CS 120P

ATTENTION:

- To avoid damaging the speaker, do not overtighten the four screws. Use a manual screwdriver to tighten the screws. **Do not** use a cordless drill or electric screwdriver.
- Pour éviter d'endommager l'enceinte, ne serrez pas trop les quatre vis. Utilisez un tournevis manuel pour serrer les vis. N'utilisez pas de perceuse-visseuse ou de tournevis électrique.

21. Attach secondary support lines — If required, attach all of the secondary support lines as shown below. Figure 23 shows the open back configuration and figure 24 shows the closed back configuration.

ATTENTION:

- **Do not** allow any slack in the secondary support line.
- Ne laissez pas de mou au niveau du filin de sécurité secondaire.

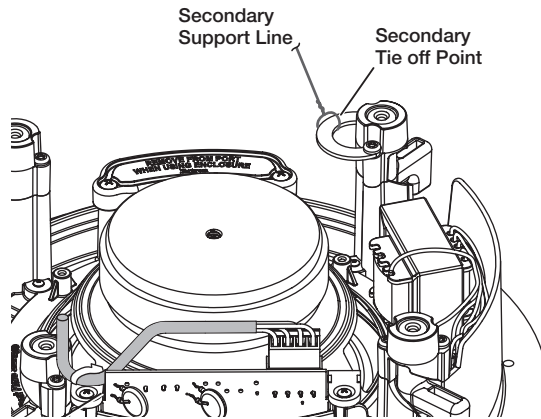


Figure 23. Attaching Secondary Support Lines: Open Back

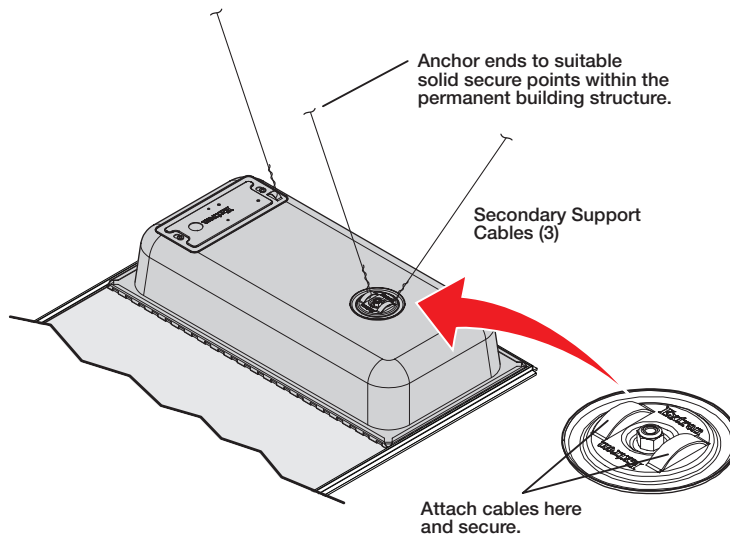


Figure 24. Attaching Secondary Support Lines: Closed Back

NOTES:

- When placing the CS 120P on a tile grid with a grid face less than 15/16 inch (24 mm) and no ceiling tile is installed, use the secondary attachment points as hanger suspension points.
- Observe all applicable building codes and local ordinances when installing the speaker.

22. Replace the adjacent tile — Reinstall the adjacent tile that was removed in **step 4** on page 5.

23. Set the rotary tap selector switch — Use a small screwdriver to set the tap selector switch to the appropriate setting.

ATTENTION:

- When setting the taps for a distributed (high impedance) system, **do not** tap the system above the rated power of the amplifier.
- Lors de la mise en place des capteurs pour un système distribué (haute impédance), n'exploitez pas le système au delà du niveau d'alimentation de l'amplificateur.
- When connecting multiple speakers in 8-ohm mode, be sure that the combined rated impedance does not equal a value less than the minimum rated impedance of the amplifier.
- Lors de la connexion de plusieurs enceintes en mode 8 ohm, assurez vous que le niveau d'impédance combinée ne soit pas équivalent à une valeur inférieure à l'impédance minimum de l'amplificateur.

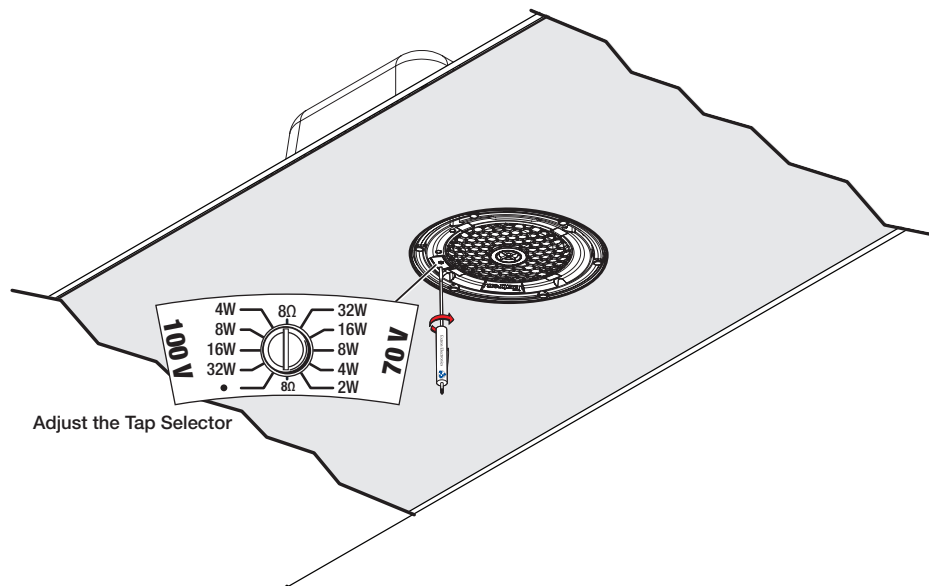


Figure 25. Adjusting the Rotary Tap Selector

- 24. Install the grille** — Position the outer perimeter of the grille into the groove of the speaker baffle. Six magnets pull the grille securely into place.

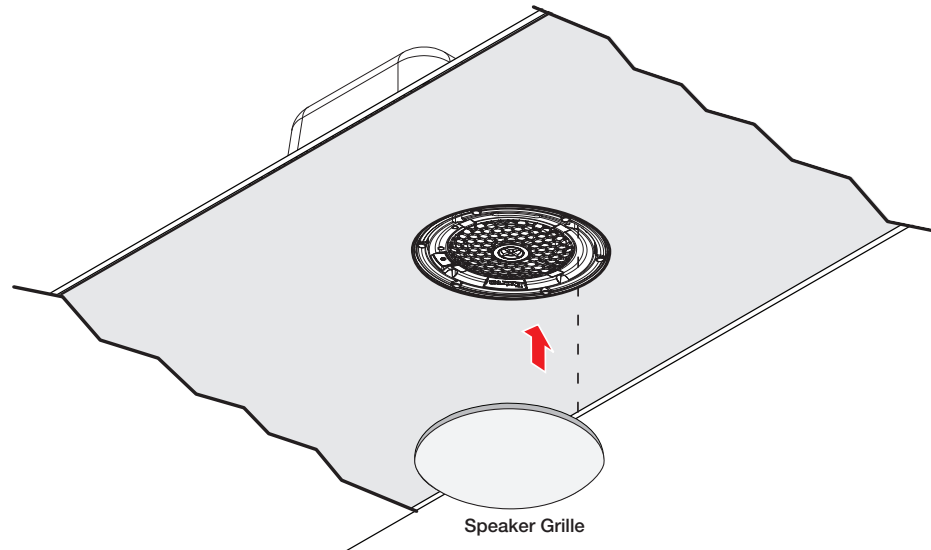


Figure 26. Installing the Speaker Grille

NOTE: Grille hooks are provided for removal of the grille after installation.

Installing the CS 120P in a Suspended Ceiling – Division of Labor

In a division of labor installation, low-voltage contractors install the CS 120P enclosure (construction rough-in phase).

NOTE: The ceiling grid must be installed **before** the installation of the CS 1226T Plus can begin.

- Verify if fiberglass ceiling tiles are being used (see [step 4d](#) on the next page and [step 10](#) on page 22 for details).
- The grid face should be at least 15/16 inch (24 mm) for proper installation of the CS 120P (see [step 12](#) on page 23 for details on suspending the enclosure on a smaller grid face).

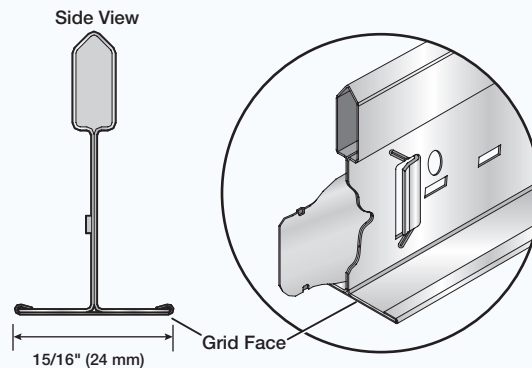


Figure 27. Grid Face Example

Use the following procedure:

- 1. Disconnect power** — Power down all attached devices before proceeding.
- 2. Verify the space where the system will be installed** — Ensure that there is sufficient clearance above the ceiling tile for the unit to be installed.
- 3. Configure the CS 120P for a U.S. or metric ceiling grid** — For U.S. ceilings (2 feet by 2 feet or 2 feet by 4 feet), leave intact the four tabs that are on one of the short ends of the enclosure.

For metric ceilings (600 mm by 600 mm or 600 mm by 1200 mm) cut off the tabs.

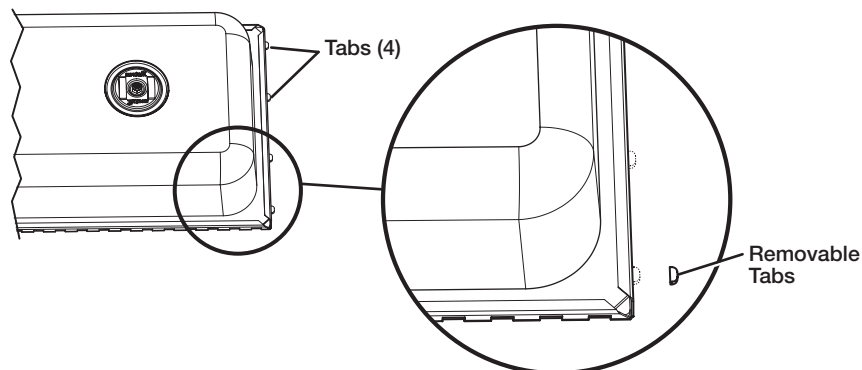


Figure 28. Tabs on the CS 120P

4. **Cut a hole for the CS 26T Plus speaker.** Use the provided cutout template to outline the hole to be cut in the ceiling tile as described below. (If the ceiling tile will **not** be installed during this phase of the installation, skip to **step 6**.)
 - a. Remove the ceiling tile.
 - b. To find the center of the tile, use a tape measure to measure the space between two opposite corners, and mark the half-way point.
 - c. Position the center hole of the cutout template directly over the center of the tile that you marked in step 4b.
 - d. Using the provided cutout template, trace a circle on the ceiling tile as follows:

For installations in ceiling tiles that are NOT fiberglass: Trace a circle around the CS 26T Plus cutout template.

NOTE: The fiberglass tile adapters are not needed and can be discarded.

For installations in 1-inch (2.5 cm) thick fiberglass ceiling tiles with the CS 120P:

NOTE: A set of fiberglass tile adapters is provided with both the CS 26T Plus and the CS 120P. Only one set is needed to install the CS 26T Plus with the CS 120P kit in a 1-inch (2.5 cm) thick fiberglass tile. The adapter works **only** with 1-inch (2.5 cm) thick fiberglass tile.

- i. Place the fiberglass tile adapter around the outer diameter of the template that was positioned in step 4c.
 - ii. Trace a circle around the outer diameter of the adapter.
 - e. Cut out the circle traced in the ceiling tile.
 - f. Replace the tile in the ceiling.
5. **Remove the adjacent ceiling tile** — To facilitate the installation process, remove the tile adjacent to the ceiling tile where the CS 26T Plus will be installed.
 6. **Remove the cover plate** — Loosen (do not remove) the two screws on the cover plate and remove it, as shown in figure 29.

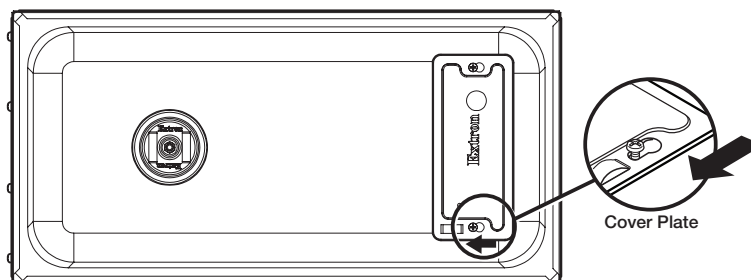
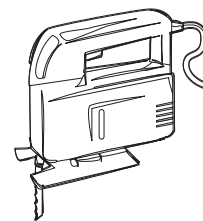


Figure 29. Removing the Cover Plate

7. Route the cables through the cover plate —

NOTES:

- The CS 120P is fully UL 2043 compliant only when it is used with a metal conduit or with plenum rated cables.
- Installation of all conduits, conduit adapters, wiring, and electrical connections must conform to all applicable building codes and local ordinances.

Using a flexible conduit:

- a. Route wires through the conduit.
- b. Insert the conduit into the cover plate opening using an appropriate conduit adapter, and secure the conduit to the plate as shown in figure 30.
- c. Pull the wires out of the conduit and through the cover plate.

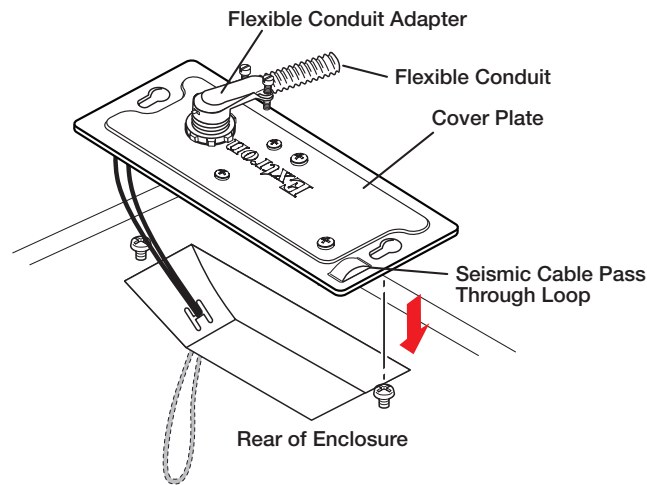


Figure 30. Routing the Cables through the Cover Plate Using a Flexible Conduit

Using speaker wires without a conduit:

- a. Secure the cable clamp adapter (included) to the cover plate.
- b. Insert the wires through the clamp and cover plate, as shown in figure 31.
- c. Tighten the clamp screws.

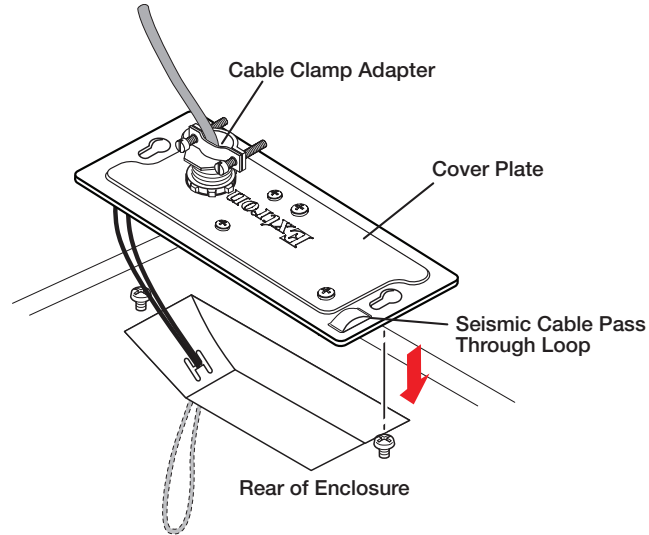


Figure 31. Routing the Cables Without a Conduit

- 8. **Wire the CS 120P** — Route the wires through the H-shaped opening in the CS 120P. Be sure to leave sufficient slack.

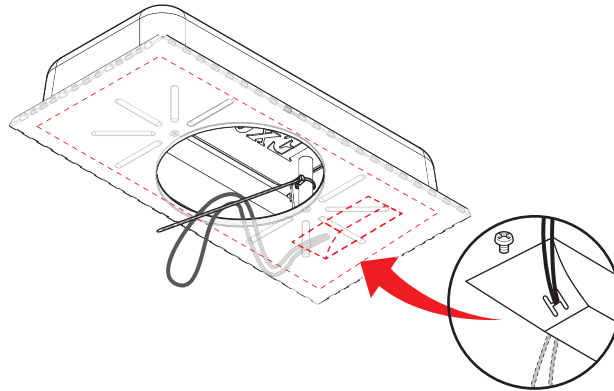


Figure 32. Route the Wires Through the H-shaped Opening

9. **Replace the terminal cover plate** — Reinstall the terminal cover plate onto the CS 120P and tighten the two screws that were previously loosened.
10. **If the CS 120P is NOT being installed in a 1-inch (2.5 cm) thick fiberglass ceiling tile**, discard the fiberglass tile adapter and proceed to **step 11** on the next page.
If the CS 120P is being installed in a 1-inch (2.5 cm) thick fiberglass ceiling tile, install the fiberglass ceiling tile adapter. Attach the fiberglass tile adapter to the outer side of the lip of the port hole on the CS 120P as follows:
 - a. Cut four strips of adhesive tape (such as duct tape) approximately 4 inches (10.2 cm) long.
 - b. Attach each tape strip starting from the outer side of the CS 120P metal baffle, up and over the port ring adapter, then down to the inner surface of the CS 120P metal baffle, as shown in figure 33.

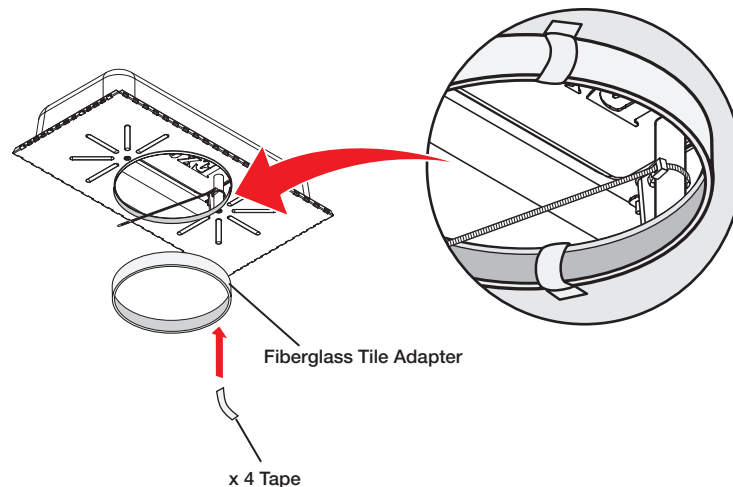
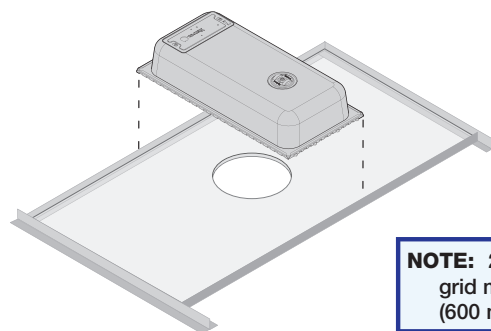


Figure 33. Attach Four Tape Strips to the Baffle and Port Ring Adapter

NOTE: The tape strips must lie flat against all surfaces, with no ridges or raised edges.

11. **Place the CS 120P into the ceiling grid** — Place the CS 120P over the tile grid so that the CS 120P is safely supported on the two short edges. If the ceiling tile was installed, ensure that the hole in the tile is aligned with the hole in the CS 120P (see figure 34).



NOTE: 2' x 2' (600 mm x 600 mm) grid mounting is the same as 2' x 4' (600 mm x 1200 mm) grid mounting.

Figure 34. Mounting the CS 120P in a 2' x 4' (600 mm x 1200 mm) Ceiling Grid

- 12. Attach secondary support lines** — If required, attach all of the secondary support lines as shown in figure 35.

ATTENTION: Do not allow any slack in the secondary support line.

ATTENTION : Ne laissez pas de mou au niveau du filin de sécurité secondaire.

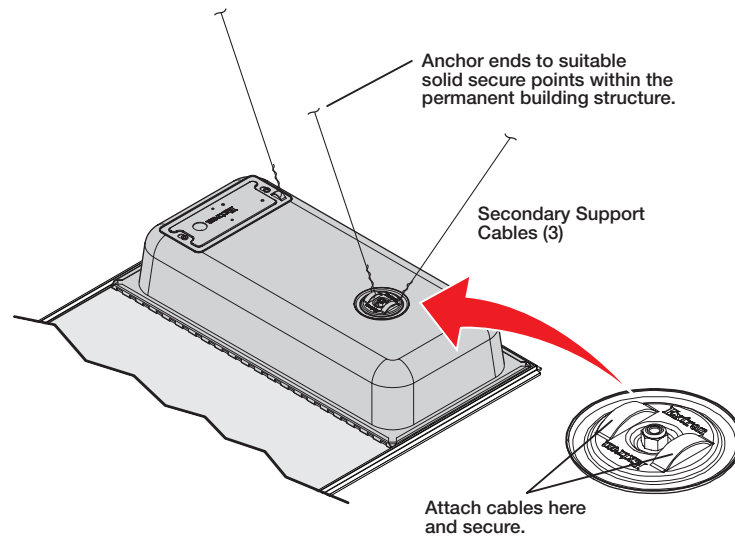


Figure 35. Attaching Secondary Support Lines

NOTE:

- When placing the CS 120P on a tile grid with a grid face of less than 15/16 inch (24 mm) and no ceiling tile is installed, use the secondary attachment points as hanger suspension points.
- Observe all applicable building codes and local ordinances when installing the speaker.

- 13. Replace the adjacent tile** — Reinstall the adjacent tile if one was removed in step 5.

Installing the CS 26T Plus in a Suspended Ceiling – Division of Labor

In a division of labor installation, an AV system contractor installs the CS 26T Plus (final installation phase). Use the following procedure:

NOTE: Observe all applicable building codes and local ordinances when installing the speaker.

1. **Disconnect power** — Power down all attached devices before proceeding.
2. (If the ceiling tile is already cut and in place, skip this step.)
Cut a hole for the CS 26T Plus speaker — Use the provided cutout template to outline the hole to be cut in the ceiling tile as described below.
 - a. Remove the ceiling tile.
 - b. To find the center of the tile, use a tape measure to measure the space between two opposite corners, and mark the half-way point.
 - c. Position the center hole of the cutout template directly over the center of the tile that you marked in step 2b.
 - d. Using the provided cutout template, trace a circle on the ceiling tile as follows:
For installations in ceiling tiles that are NOT fiberglass: Trace a circle around the CS 26T Plus cutout template.

NOTE: The fiberglass tile adapters are not needed and can be discarded.

For installations in 1-inch (2.5 cm) thick fiberglass ceiling tiles with the CS 120P:

NOTE: A set of fiberglass tile adapters is provided with both the CS 26T Plus and the CS 120P. Only one set is needed to install the CS 26T Plus with the CS 120P kit in a 1-inch (2.5 cm) thick fiberglass tile. The adapter works **only** with 1-inch (2.5 cm) thick fiberglass tile.

- i. Place the fiberglass tile adapter around the outer diameter of the template that was positioned in step 2c.
 - ii. Trace a circle around the outer diameter of the adapter.
 - e. Cut out the circle traced in the ceiling tile.
 - f. Replace the tile in the ceiling, ensuring that the hole in the tile is aligned with the hole in the CS 120P.
3. **Route the speaker wires** — Route the speaker wires through the ceiling tile hole.
4. **Remove the speaker grille** — Carefully remove the grille from the front of the CS 26T Plus.

NOTE: Grille hooks are provided for grille removal, if needed.

5. Attach the speaker wires to the captive screw connector —

ATTENTION: Do not tin the wire leads before installing into the connector. Tinned wires are not as secure in the connector and could be pulled out.

ATTENTION : Ne pas étamer les conducteurs avant de les insérer dans le connecteur. Les câbles étamés ne sont pas aussi bien fixés dans le connecteur et pourraient être retirés.

Number of Wires per Connection Point	Maximum Wire Gauge
1	12 AWG
2	16 AWG
4	18 AWG

Attach the speaker wires to the included four-pole captive screw connector using one of the following methods:

- **Wiring a Single Speaker:** Connect the wires to the captive screw connectors of the speaker as shown in figure 36. Be sure to tighten the screws.

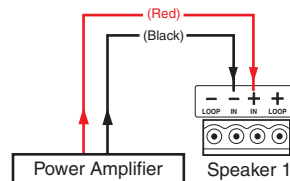


Figure 36. Wiring a Single Speaker

- **Wiring Multiple Speakers in Parallel:** Connect the wires to the captive screw connectors of the speakers, as shown in figure 37. Be sure to tighten the screws.

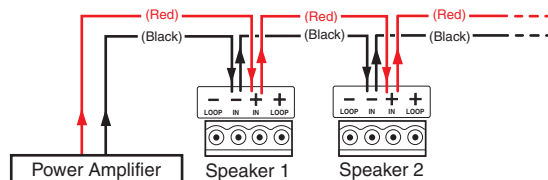


Figure 37. Wiring Multiple Speakers in Parallel

In the parallel configuration, all of the speakers downstream of the one being tested continue to function even when it is disconnected. This is especially useful in installations where the system can never be completely down, such as in a hospital setting.

The source signal can be tested by connecting to the inner + (IN) and – (IN) terminals of the captive screw connector, as shown below.

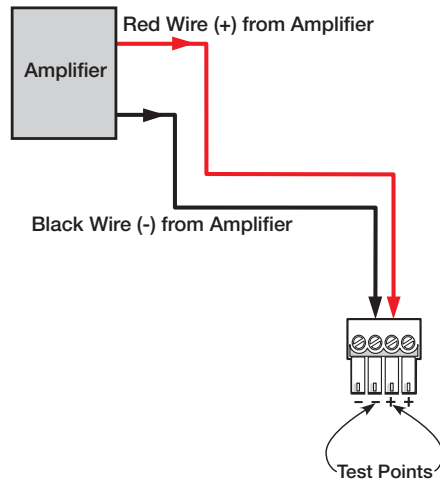


Figure 38. Signal Test Points – Parallel Configuration

- Wiring Multiple Speakers Using Loop-through:** A loop-through electrical connection is made on the crossover board of the CS 26T Plus. Connect the wires to the captive screw connectors of the speakers, as shown in figure 39. Be sure to tighten the screws.

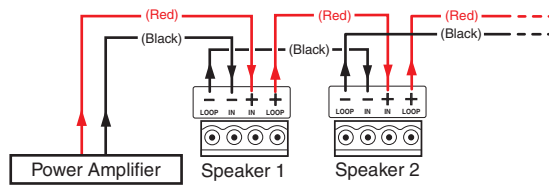


Figure 39. Wiring Multiple Speakers Using Loop-through

In this configuration, all of the speakers downstream of the one being tested are disconnected from the source signal when it is disconnected. This is useful for troubleshooting in three ways:

- The system is sectioned for easier troubleshooting.
- The source signal can be tested by connecting to the inner + (IN) and – (IN) terminals of the captive screw connector, as shown in figure 40.

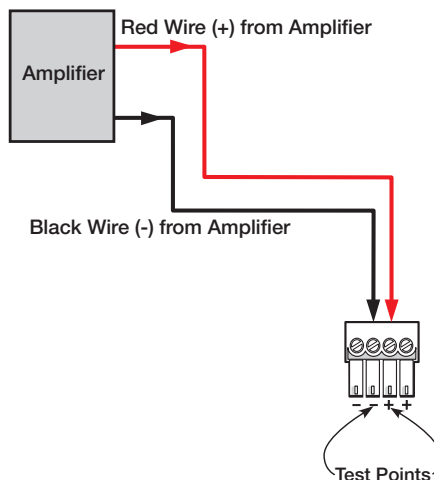


Figure 40. Signal Test Points – Loop-through Configuration

- The impedance of the speakers downstream of the one being tested can be measured while the system is on by connecting to the outer (LOOP) terminals of the captive screw connector, as shown in figure 41.

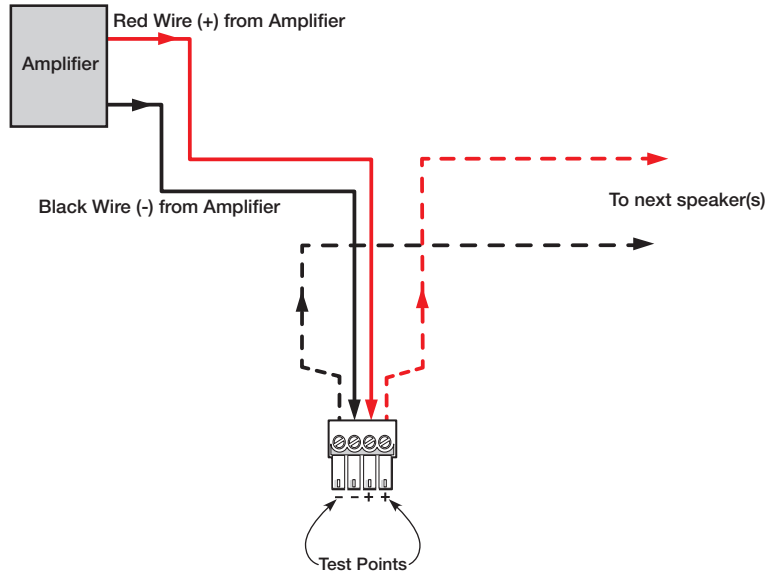


Figure 41. Impedance Test Points – Loop-through Configuration

6. **Insert the captive screw connector** into the four-pole receptacle on the speaker crossover board, as shown below.

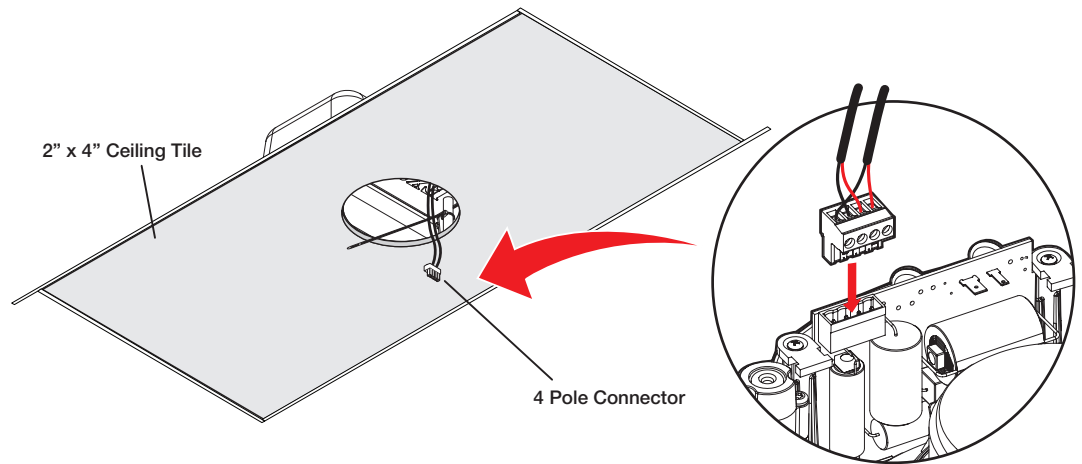


Figure 42. Connecting the Wire from the CS 120P to the Speaker

7. **Attach the speaker wire to the strain relief tie down point** using the provided zip tie, as shown below.

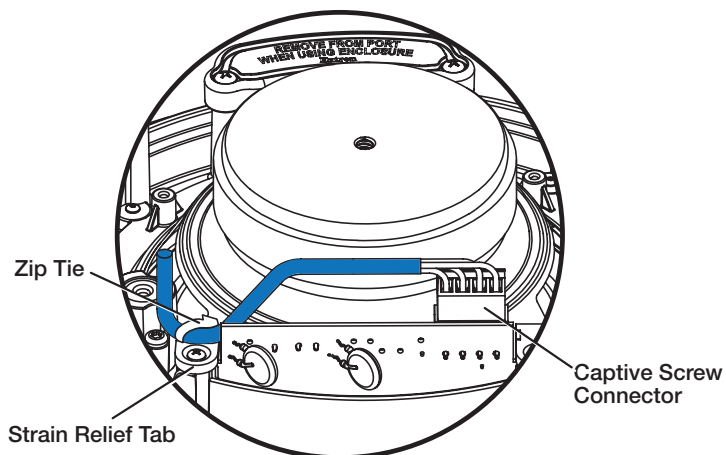


Figure 43. Attaching the Speaker Wire to the Strain Relief Point

8. In the closed back configuration, use the zip tie protruding from the underside of the enclosure (see figure 44) to attach to the secondary tie off point of the CS 26T Plus speaker (see [figure 45](#) on the next page).

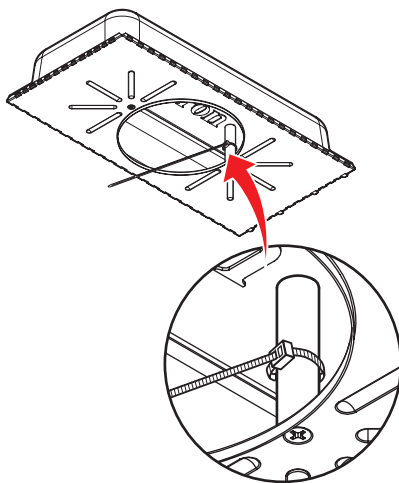


Figure 44. Closed Back Secondary Support Line for the CS 26T Plus

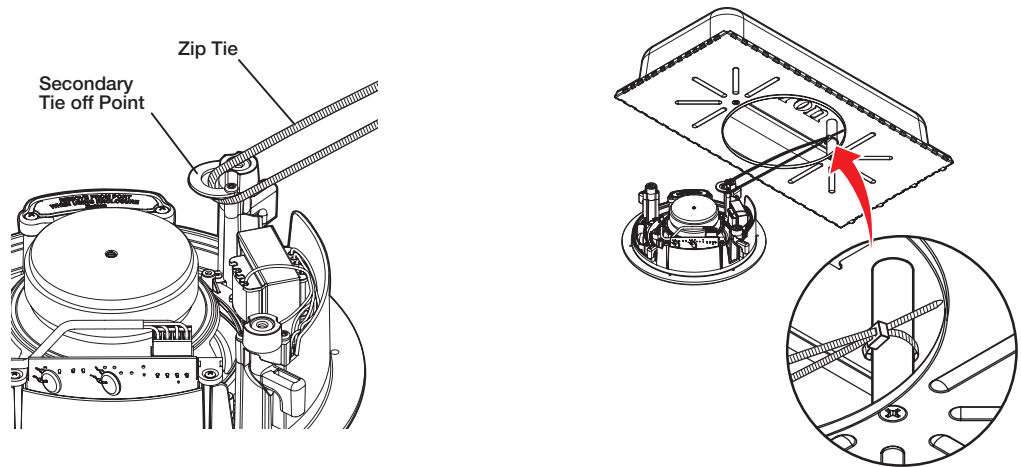


Figure 45. Attaching the Secondary Support Line to the CS 26T Plus

NOTE: Observe all applicable building codes and local ordinances when installing the speaker.

9. **Mount the CS 26T Plus** (see figure 46 below).
 - a. **Insert the CS 26T Plus** through the bottom of the hole in the ceiling tile that was cut in [step 4](#).
 - b. **Tighten the four screws** (clockwise) until the speaker is securely clamped to the ceiling.

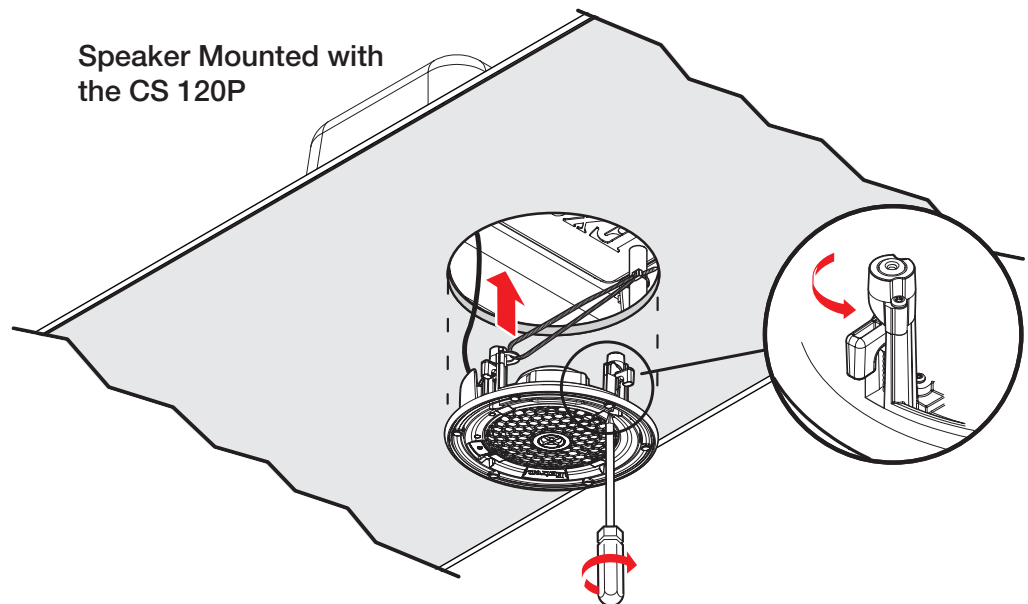


Figure 46. Mounting the Speaker to the CS 120P

ATTENTION:

- To avoid damaging the speaker, do not overtighten the four screws. Use a manual screwdriver to tighten the screws. **Do not** use a cordless drill or electric screwdriver.
- Pour éviter d'endommager l'enceinte, ne serrez pas trop les quatre vis. Utilisez un tournevis manuel pour serrer les vis. N'utilisez pas de perceuse-visseuse ou de tournevis électrique.

10. Set the rotary tap selector switch — Use a small screwdriver to set the tap selector switch to the appropriate setting, as shown below.

ATTENTION:

- When setting the taps for a distributed (high impedance) system, **do not** tap the system above the rated power of the amplifier.
- Lors de la mise en place des capteurs pour un système distribué (haute impédance), n'exploitez pas le système au delà du niveau d'alimentation de l'amplificateur.
- When connecting multiple speakers in 8-ohm mode, be sure that the combined rated impedance does not equal a value less than the minimum rated impedance of the amplifier.
- Lors de la connexion de plusieurs enceintes en mode 8 ohm, assurez vous que le niveau d'impédance combinée ne soit pas équivalent à une valeur inférieure à l'impédance minimum de l'amplificateur.

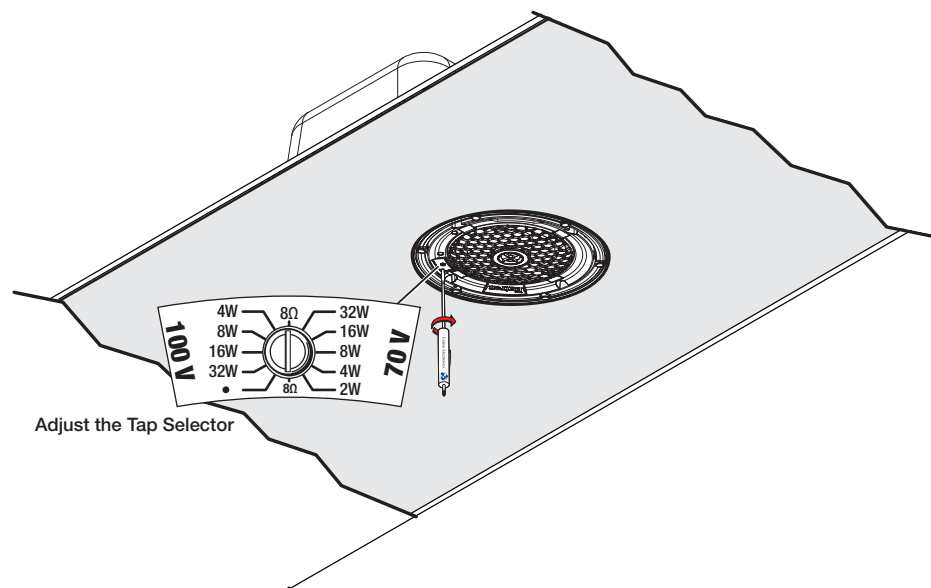


Figure 47. Adjusting the Rotary Tap Selector

- 11. Install the grille** — Position the outer perimeter of the grille into the groove of the speaker baffle. Six magnets pull the grille securely into place, as shown below.

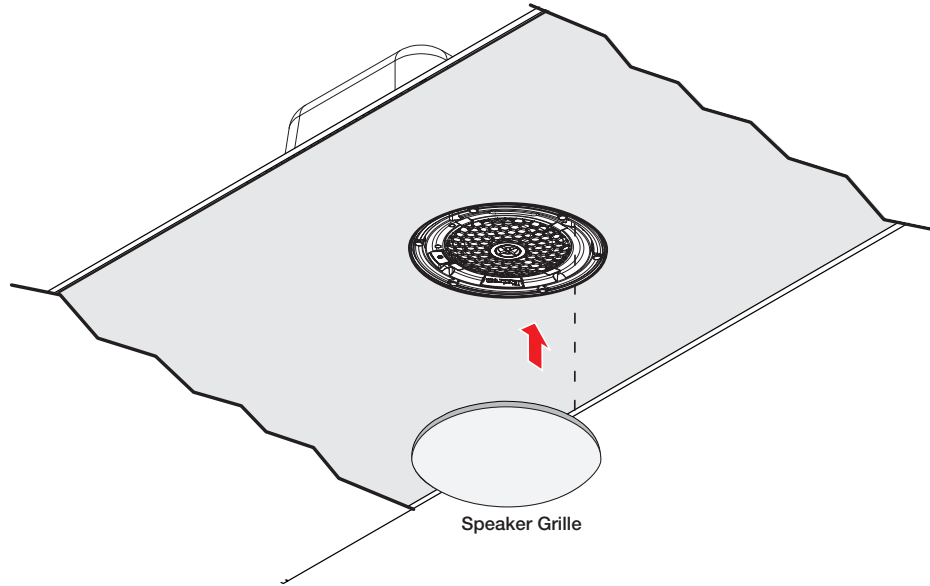


Figure 48. Installing the Speaker Grille

NOTE: Grille hooks are provided for removal of the grille after installation.

Installing the CS 120P in a Hard Ceiling

If you are installing the CS 1226T Plus in a hard ceiling (having no ceiling tiles), with the ceiling structure in place, install the CS 120P:

- It is the responsibility of the installer to identify a suitable mounting location and provide the mounting hardware.
- The CS 120P must be mounted as close as possible to the upper surface of the ceiling material.
- The lip of the CS 120P should protrude into the hole cut for the speaker.
- Do not leave a gap between the CS 120P and the ceiling material.

NOTE: Installation in this type of ceiling must be done while access to the ceiling is still possible.

Extron Warranty

Extron Electronics warrants this product against defects in materials and workmanship for a period of five years from the date of purchase. In the event of malfunction during the warranty period attributable directly to faulty workmanship and/or materials, Extron Electronics will, at its option, repair or replace said products or components, to whatever extent it shall deem necessary to restore said product to proper operating condition, provided that it is returned within the warranty period, with proof of purchase and description of malfunction to:

USA, Canada, South America, and Central America:

Extron Electronics
1230 South Lewis Street
Anaheim, CA 92805
U.S.A.

Japan:

Extron Electronics, Japan
Kyodo Building, 16 Ichibancho
Chiyoda-ku, Tokyo 102-0082
Japan

Europe and Africa:

Extron Europe
Hanzeboulevard 10
3825 PH Amersfoort
The Netherlands

China:

Extron China
686 Ronghua Road
Songjiang District
Shanghai 201611
China

Asia:

Extron Asia Pte Ltd
135 Joo Seng Road, #04-01
PM Industrial Bldg.
Singapore 368363
Singapore

Middle East:

Extron Middle East
Dubai Airport Free Zone
F13, PO Box 293666
United Arab Emirates, Dubai

This Limited Warranty does not apply if the fault has been caused by misuse, improper handling care, electrical or mechanical abuse, abnormal operating conditions, or if modifications were made to the product that were not authorized by Extron.

NOTE: If a product is defective, please call Extron and ask for an Application Engineer to receive an RA (Return Authorization) number. This will begin the repair process.

USA: 714.491.1500 or 800.633.9876
Asia: 65.6383.4400

Europe: 31.33.453.4040
Japan: 81.3.3511.7655

Units must be returned insured, with shipping charges prepaid. If not insured, you assume the risk of loss or damage during shipment. Returned units must include the serial number and a description of the problem, as well as the name of the person to contact in case there are any questions.

Extron Electronics makes no further warranties either expressed or implied with respect to the product and its quality, performance, merchantability, or fitness for any particular use. In no event will Extron Electronics be liable for direct, indirect, or consequential damages resulting from any defect in this product even if Extron Electronics has been advised of such damage.

Please note that laws vary from state to state and country to country, and that some provisions of this warranty may not apply to you.

Extron Headquarters +1.800.633.9876 (Inside USA/Canada Only) Extron USA - West +1.714.491.1500 +1.714.491.1517 FAX	Extron USA - East +1.919.850.1000 +1.919.850.1001 FAX	Extron Europe +800.3987.6673 (Inside Europe Only) +31.33.453.4040 +31.33.453.4050 FAX	Extron Asia +65.6383.4400 +65.6383.4664 FAX	Extron Japan +81.3.3511.7655 +81.3.3511.7656 FAX	Extron China +86.21.3760.1568 +86.21.3760.1566 FAX	Extron Middle East +971.4.299.1800 +971.4.299.1880 FAX	Extron Korea +82.2.3444.1571 +82.2.3444.1575 FAX	Extron India 1800.3070.3777 (Inside India Only) +91.80.3055.3777 +91.80.3055.3737 FAX
---	--	---	--	---	---	---	---	---