

## Weatherproof Outdoor Column Speaker CLSK-10C



### Feature:

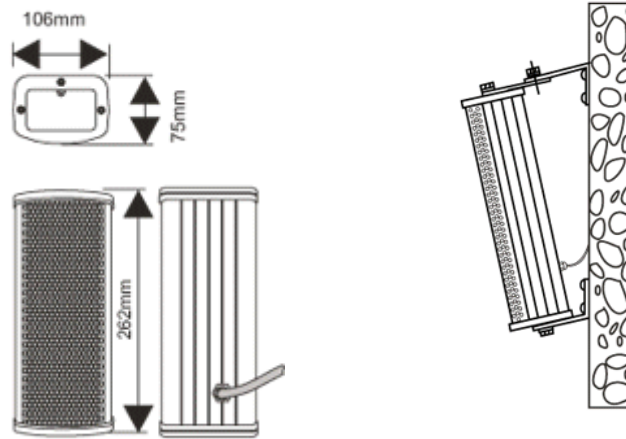
- ✓ Commercial public address (PA) system music & paging column speaker with transformer
- ✓ Ideal for outdoor music and speech use in factory, school, office, hotel and airport
- ✓ Weatherproof outdoor PA music column speaker
- ✓ 2.5" full range waterproof PP driver unit
- ✓ Rated power output 10W-7.5W/5W and Max of 15W at 100V
- ✓ Waterproof level of IP66
- ✓ Line input 100V or 70V by cable tail with waterproof gland
- ✓ Aluminum alloy enclosure and stainless metal bracket in white
- ✓ Quick installation by supplied stainless mounting bracket

### Specifications:

<b>Model</b>	<b>CLSK-10C</b>
<b>Description</b>	Weatherproof Outdoor Column Speaker
<b>Rated Input Power</b>	10W-7.5W/5W
<b>Max Input Power</b>	15W
<b>Speaker</b>	2.5" full range waterproof PP driver unit
<b>Line Input</b>	100V or 70V & 8Ω
<b>Frequency Response</b>	135-20KHz
<b>SPL(@1W/m)</b>	92dB
<b>IP Rate</b>	IP66
<b>Connector</b>	By speaker cable tail with waterproof gland
<b>Dimension</b>	253(W) × 152(D) × 100(H)mm
<b>Material</b>	Aluminum alloy enclosure and stainless mounting bracket in white
<b>Mounting Way</b>	Quick installation by supplied stainless mounting bracket
<b>Weight</b>	1.5kg

# Weatherproof Outdoor Column Speaker CLSK-10C

## Side View & Dimensions:



## Frequency Response & SPL:

