

SM 3

Compact Full-Range Speaker with SpeedMount™



DESCRIPTION

The Extron **SM 3** is a compact, fast-installing flush mount speaker featuring the Extron SpeedMount™ System. The enclosure measures less than 4" (10.2 cm) deep. The 8 ohm speaker features a 3" (7.6 cm) full-range driver and tuned bass port, a wide frequency response of 75 Hz to 18 kHz, and a power rating of 15 watts continuous pink noise, 30 watts continuous program capacity. SpeedMount is an Extron-exclusive, concealed mounting system designed to speed up installation. During rough-in, electrical contractors can install a 0° or 10° mounting plate on the wall and terminate the speaker cable to the mount's integrated wiring contacts. Later, installers can slide the SM 3 speaker onto the mount and secure it into place with a "click," while automatically connecting to the wiring contacts.

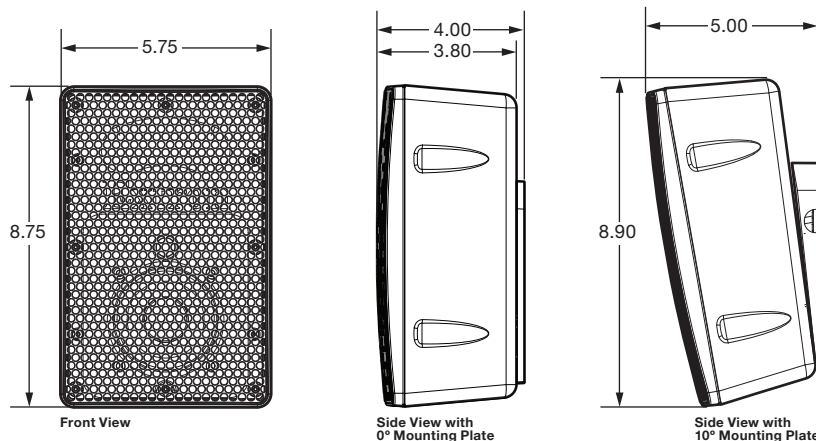
FEATURES

- Compact low profile, full-range speaker
- Exclusive SpeedMount™ mounting system included with 0° and 10° mounting plates
- 8 ohm nominal impedance
- 3" (7.6 cm) full-range driver with a tuned bass reflex port
- Frequency response: 75 Hz to 18 kHz
- 15 watts continuous pink noise, 30 watts continuous program
- Complies with ADA requirements on protrusion limits when used with 0° mounting plate
- Hidden locking speaker release mechanism
- 5 year parts and labor warranty

SPECIFICATIONS

AUDIO/ACOUSTIC AND ELECTRICAL	
Frequency range	75 Hz to 18 kHz, -10 dB, full space
Power capacity	15 W (rms) continuous pink noise (per IEC 60268-5) 30 W (rms) continuous program
Nominal sensitivity	83 dB SPL, 1 W, 1 m, full space
Nominal impedance	8 ohms
Driver	(1) 3" (76.2 mm) paper cone
Input connectors	Speaker: 2 recessed pins Mounting plate: (1) 10 mm Euro-style captive screw terminal block, 2 pole
GENERAL	
Package	2 speakers (1 pair) with mounting kit
Temperature/humidity	Storage: -40 to +158 °F (-40 to +70 °C) / 10% to 90%, noncondensing Operating: +32 to +122 °F (0 to +50 °C) / 10% to 90%, noncondensing
Mounting	Wall mountable with included mounting plates (0° and 10°)
Enclosure type	Plastic, trapezoidal, with molded grille and front bass reflex port
Enclosure outer dimensions	With 0° mounting plate: 8.75" H x 5.75" W x 4.0" D (22.2 cm H x 14.6 cm W x 10.2 cm D) With 10° mounting plate: 8.9" H x 5.75" W x 5.0" D (22.6 cm H x 14.6 cm W x 12.7 cm D)
Product weight	Single: 2.0 lbs (0.9 kg)
Regulatory compliance	Safety: CE
Warranty	5 years parts and labor

For complete specifications, please go to www.extron.com



MODEL

- SM 3
- SM 3

VERSION DESCRIPTION

- Low Profile - 3" Driver, Black, Pair
- Low Profile - 3" Driver, White, Pair

PART

- 42-133-02
- 42-133-03