

DESCRIPTION

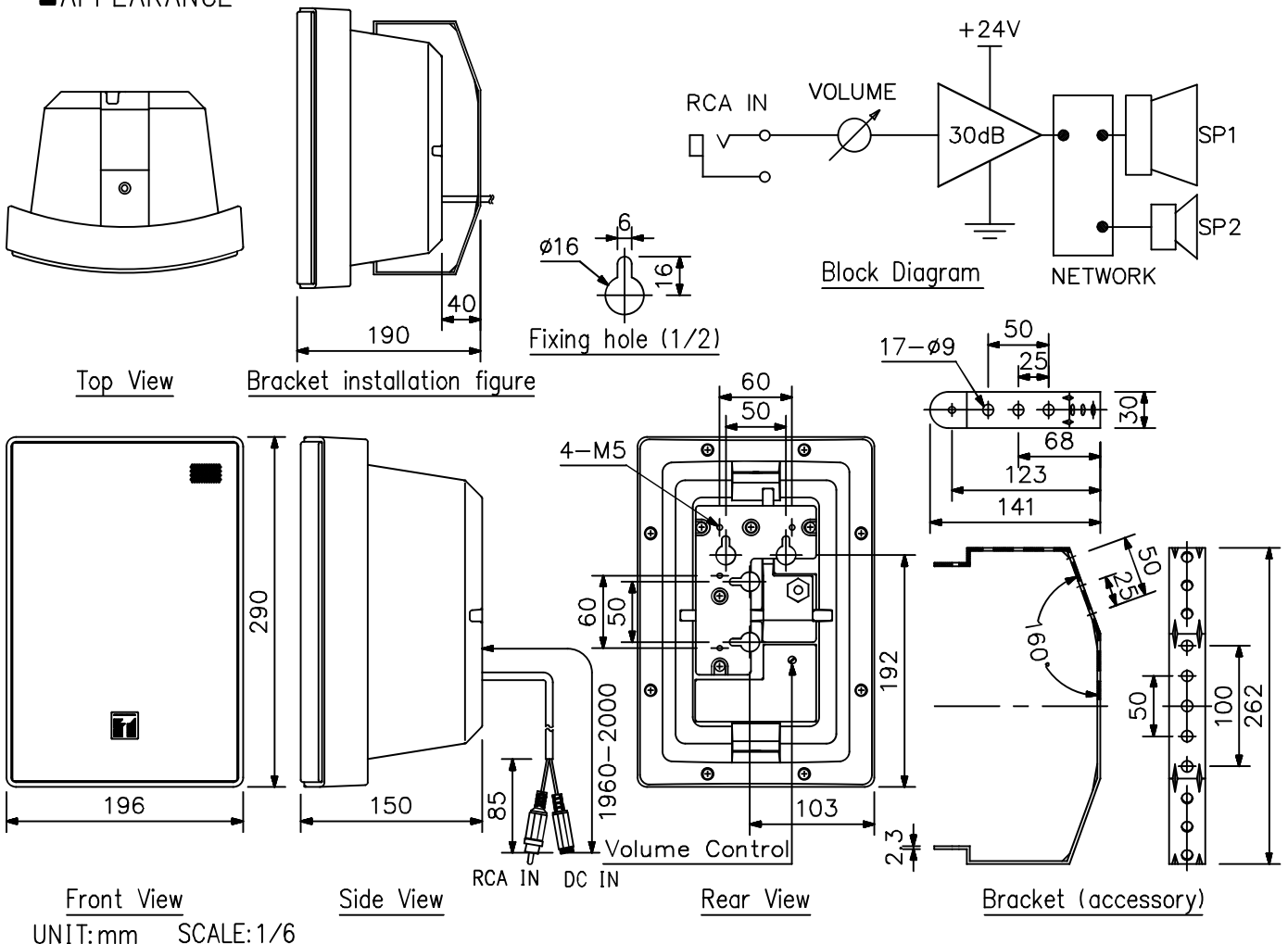
The BS-P1030B-AS is 2-way bass-reflex speaker with a built-in 30W digital power amplifier, suitable for use for announcements and music playback. The speaker's splash-proof construction permits it to be installed under the eaves where the speaker is not directly exposed to rain.

SPECIFICATIONS

Enclosure	2-way bass-reflex type
Power Source	24V DC, 1.5A (DC Socket "+" Type A : 5.5 x 2.1mm)
Power Consumption	24W (1A) at Rated output
Input	5kΩ, Unbalanced (RCA plug) Maximum input : +6dBV (2Vrms)
Signal Gain	+30 dB
Volume Adjustment	Volume control (Factory pre-set to middle position)
Sound Pressure Level	90 dB (1 W, 1 m)
Frequency Response	80 Hz - 20 kHz
Speaker Component	12 cm cone-type + dome-type
Speaker Cord	Length: 2m Flying Lead (RCA plug) & DC socket ("+")
Operating Temperature	-10 °C to +50 °C
Water Protection	IPX4 (can be installed vertically or horizontally.**)
Finish	Enclosure: ABS resin, black (RAL9011 GRAPHITE BLACK), paint Net: Surface treated steel plate, black (RAL9011 GRAPHITE BLACK), powder coating Bracket: Surface treated steel plate, black equivalent to RAL9011 GRAPHITE BLACK, powder coating
Dimensions	196 (W) X 290 (H) X 150 (D) mm (unit only)
Weight	Approx. 2.5 kg (unit only)
Accessories	Bracket*1, Bracket mounting screw**2, Bracket mounting washer**2
Option	Applicable bracket: SP-410 Applicable stand: ST-16A

** Install with the front facing downward. Note that the splash-proof capability will be lost if installed face-up. The logo mark needs to be located in the lower section the speaker is installed vertically, and on the right side of the speaker (as viewed from the front) when installed horizontally.

APPEARANCE



ปรึกษาได้ทุกวันที่เบอร์โทร

Hot Line :

096-849-6566 (คุณวีรวิทย์)

096-686-5455 (คุณมารุต)

นอกเวลาทำงานโทร 081-493-4312

092-092-2637 (คุณชลายุทธ์)

081-314-8519 (คุณเกิดศักดิ์)